

# XTESA PLAIN

20.04.2026\_rev.01



# KE





## PLUS PRODUCT



### WINDING FABRIC

instead of a bundle, it takes up minimum space when the curtain is closed



### MINIMUM INCLINATION 7°



### CLEAN DESIGN

without fringe and fabric support profiles



### MODULAR SYSTEM

infinite number of modules can be installed side by side

# XTESA PLAIN

# KE



↔ 400/500 ↻ 700/400 ↔ 130 ↻ 215

Modular shade pergola awning with wrap-around fabric.

Pillars and gutter can be set back towards the wall by 215 cm to ensure the minimum necessary sealing conditions.

The maximum dimensions allowed are 500x400/400x700 with 300 cm. high pillars. 20/28 mq coverage area for single module.

The profiles are made of EN AW-6060 extruded aluminium alloy (with 11 x 11 cm guides and 9.5 x 13 cm columns).

Each module is motorised separately.

If the structure its overhang is wider than 4 mt., it will be equipped with a stabilizer bar.

Fitted with a stabiliser bar that projects over 4 metres. No light bar installed

The painting of the interested parties is carried out with epoxy powders based on polyester resin.

The standard colours are RAL 9010 White and Carbon.

The fabric provided is Precontrain 302.

The formation of condensation on the fabric is a natural phenomenon not to be considered a defect.

Additional options include other RAL colors and KE fabric in the samples. Possibility of lighting on internal guide.

Moreover, it is foreseen the insertion of light sensors, rain sensors and anemometers with the possibility of remote management through connection devices that make it integrable with the home automation of the house.

It is possible to provide for the installation of Vertika awnings, the installation of sliding windows and the installation of gables.

Wind resistance guaranteed up to class 5 (EN 13561:2015).

GTOT solar shading class (EN 14501:2006) assigned to the fabric.

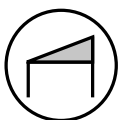
Product certified with CE marking according to EN 13561:2015

## OPTIONAL

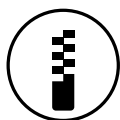
LIGHT



GABLES



VERTIKA

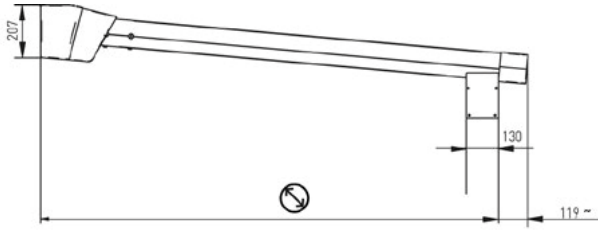


GLASS DOORS

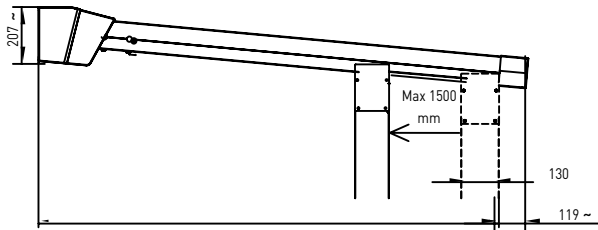


# TECHNICAL INFORMATION

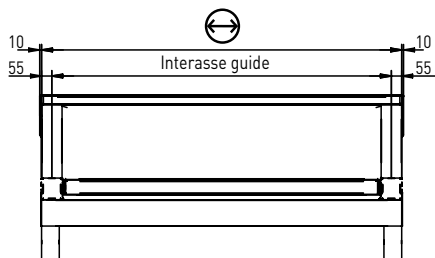
## General technical plan



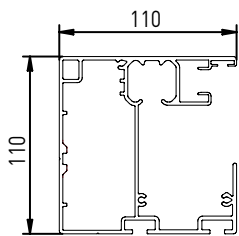
## Technical scheme of column setback



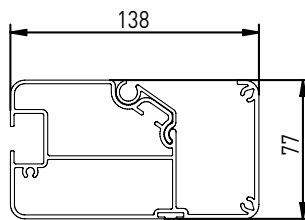
## Guides interaxis width



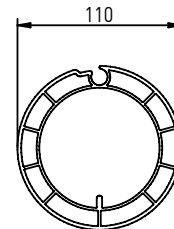
## Profiles dimensions



Guide



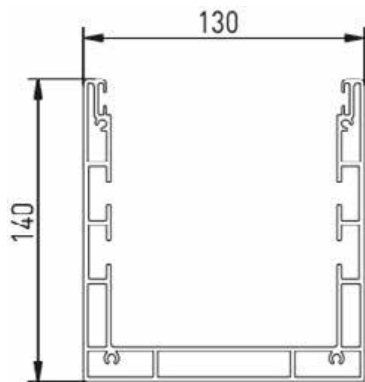
Terminal bar profile



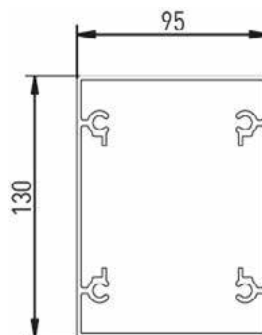
Roller tube

# TECHNICAL INFORMATION

## Girder section

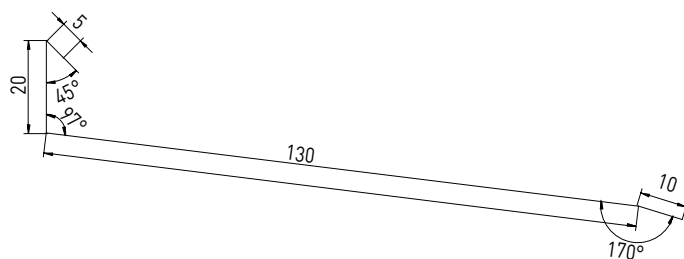


Standard glass door beam

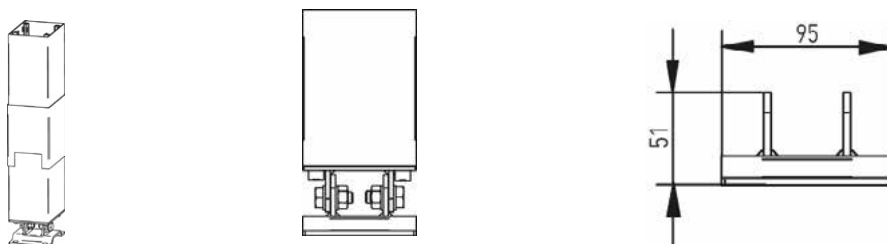


Reinforced glass beam

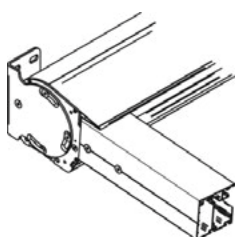
## Hood section



## Ground connection

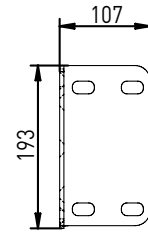
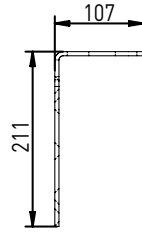
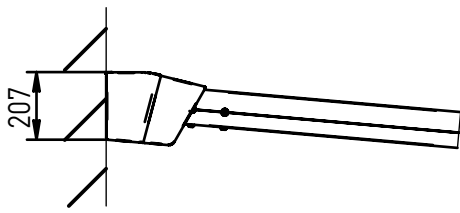


## Wall fixing

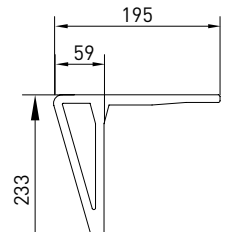
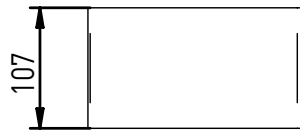
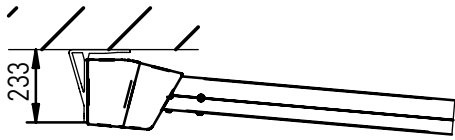


# TECHNICAL INFORMATION

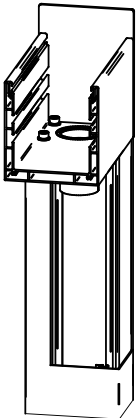
## Wall installation



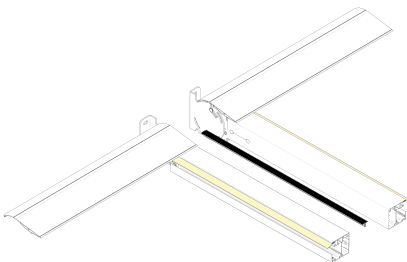
## Ceiling installation



## System for water drainage

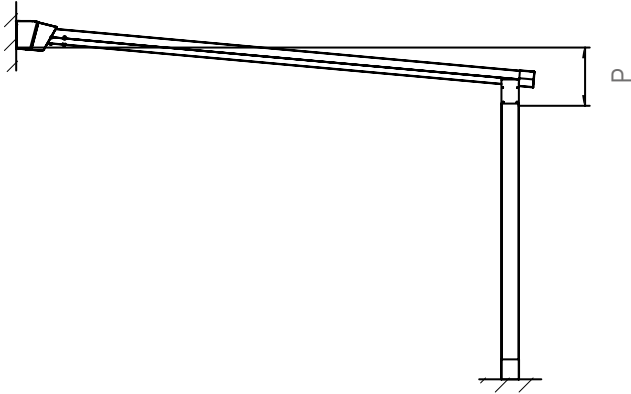


## Gasket between multiple modules



# TECHNICAL INFORMATION

## SLOPES



**1 MODULE**

cm	↔						
	200	250	300	350	400	450	500
	STD /	STD /	STD /	STD /	STD /	STD /	STD /
250	43 / -	43 / -	43 / -	46 / -	46 / -	50 / -	50 / -
300	50 / -	50 / -	50 / -	53 / -	53 / -	58 / -	58 / -
350	57 / -	57 / -	57 / -	60 / -	60 / -	69 / -	69 / -
400	66 / -	66 / -	66 / -	70 / -	70 / -	80 / -	80 / -
450	74 / -	74 / -	74 / -	77 / -	77 / -		
500	81 / -	81 / -	81 / -	85 / -	85 / -		
550	93 / -	93 / -	93 / -	97 / -	97 / -		
600	99 / -	99 / -	99 / -	105 / -	105 / -		
650	107 / -	107 / -	113 / -	113 / -	113 / -		
700	115 / -	115 / -	121 / -	121 / -	121 / -		

↻ Projection      ↔ Width

STD Standard      | | Added module

P = Minimum slope for correct drainage

**2 MODULES**

cm	↔											
	450	500	550	600	650	700	750	800	850	900	950	1000
	STD /	STD /	STD /	STD /	STD /	STD /	STD /	STD /	STD /	STD /	STD /	STD /
250	43 / -	43 / -	43 / -	43 / -	46 / -	46 / -	46 / -	46 / -	50 / -	50 / -	50 / -	50 / -
300	50 / -	50 / -	50 / -	50 / -	53 / -	53 / -	53 / -	53 / -	58 / -	58 / -	58 / -	58 / -
350	57 / -	57 / -	57 / -	57 / -	60 / -	60 / -	60 / -	60 / -	69 / -	69 / -	69 / -	69 / -
400	66 / -	66 / -	66 / -	66 / -	70 / -	70 / -	70 / -	70 / -	80 / -	80 / -	80 / -	80 / -
450	74 / -	74 / -	74 / -	74 / -	77 / -	77 / -	77 / -	77 / -				
500	81 / -	81 / -	81 / -	81 / -	85 / -	85 / -	85 / -	85 / -				
550	93 / -	93 / -	93 / -	93 / -	97 / -	97 / -	97 / -	97 / -				
600	99 / -	99 / -	99 / -	99 / -	105 / -	105 / -	105 / -	105 / -				
650	107 / -	107 / -	113 / -	113 / -	113 / -	113 / -	113 / -	113 / -				
700	115 / -	115 / -	121 / -	121 / -	121 / -	121 / -	121 / -	121 / -				

**3 MODULES**

cm	↔														
	850	900	950	1000	1050	1100	1150	1200	1250	1300	1350	1400	1450	1500	
	STD /	STD /	STD /	STD /	STD /	STD /	STD /	STD /	STD /	STD /	STD /	STD /	STD /	STD /	
250	43 / -	43 / -	46 / -	46 / -	46 / -	46 / -	46 / -	46 / -	50 / -	50 / -	50 / -	50 / -	50 / -	50 / -	
300	50 / -	50 / -	53 / -	53 / -	53 / -	53 / -	53 / -	53 / -	58 / -	58 / -	58 / -	58 / -	58 / -	58 / -	
350	57 / -	57 / -	60 / -	60 / -	60 / -	60 / -	60 / -	60 / -	69 / -	69 / -	69 / -	69 / -	69 / -	69 / -	
400	66 / -	66 / -	70 / -	70 / -	70 / -	70 / -	70 / -	70 / -	80 / -	80 / -	80 / -	80 / -	80 / -	80 / -	
450	74 / -	74 / -	77 / -	77 / -	77 / -	77 / -	77 / -	77 / -							
500	81 / -	81 / -	85 / -	85 / -	85 / -	85 / -	85 / -	85 / -							
550	93 / -	93 / -	97 / -	97 / -	97 / -	97 / -	97 / -	97 / -							
600	99 / -	99 / -	105 / -	105 / -	105 / -	105 / -	105 / -	105 / -							
650	113 / -	113 / -	113 / -	113 / -	113 / -	113 / -	113 / -	113 / -							
700	121 / -	121 / -	121 / -	121 / -	121 / -	121 / -	121 / -	121 / -							



## WIND RESISTANCE

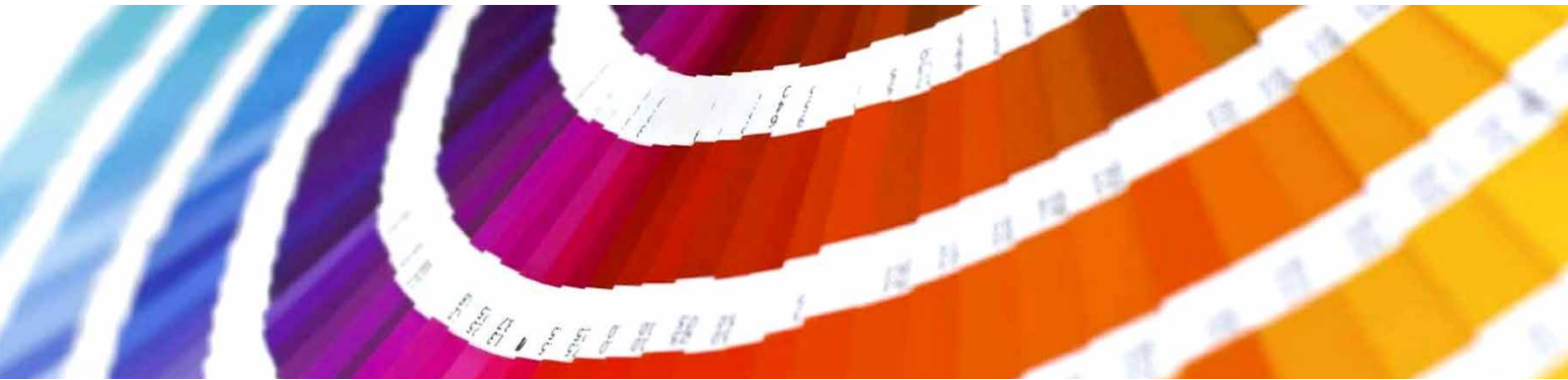
The wind resistance of an exterior shade system is characterized by its ability to support defined loads by simulating wind with positive or negative pressure. In order to define a correlation between the wind resistance class according to the classes defined by the technical standard EN 13561 and the wind speed expressed in Km / h, a comparative table with the Beaufort scale is used. The Beaufort Scale classifies winds according to the speed at which they blow. Wind speed is measured in kilometers per hour (km / h) or in nodes using a measuring instrument, called anemometer, at a height of about 10 meters above the ground.

	TERMINE DESCRITTIVO	VELOCITA' VENTO km/h	VELOCITA' VENTO km/h	VELOCITA' VENTO Nodi	EFFETTI DEL VENTO SULLA TERRA	EN 13561
4	Vento moderato	5,5 - 7,9	20 - 28	11 - 16	Si sollevano polvere e pezzi di carta; si muovono i rami piccoli degli alberi.	Classe 1
5	Vento teso	8,0 - 10,7	29 - 38	17 - 21	Gli arbusti con foglie iniziano a ondeggiare; le acque interne s'increspano.	Classe 2
6	Vento fresco	10,8 - 13,8	39 - 49	22 - 27	Si muovono anche i rami grossi; gli ombrelli si usano con difficoltà.	Classe 3
7	Vento forte	13,9 - 17,1	50 - 61	28 - 33	Gli alberi iniziano a ondeggiare; si cammina con difficoltà contro vento.	Classe 4
8	Burrasca	17,2 - 20,7	62 - 74	34 - 40	Si staccano rami dagli alberi; generalmente è impossibile camminare contro vento.	Classe 5
9	Burrasca forte	20,8 - 24,4	75 - 88	41-47	Possono verificarsi leggeri danni strutturali agli edifici (caduta di tegole o di coperchi dei camini).	Classe 6

Please note: in wind above the maximum class rating, it is necessary to retract the fabric or move blades to upright. For the evaluation of wind resistance of the perimeter closures (Vertika, Vertika Prime, Line glass) refer to the performance declarations of the products themselves. The opening and closing of the screens can be controlled by installing sensors (sun, wind, rain). These aids do not replace the need for visual monitoring and taking manual action to make the awning safe when winds or loads exceed the product's limits. Therefore, the safety of the product is not guaranteed by the use of sensors.

cm	200	250	300	350	400	450	500	450	500	550	600	650	700	750	800	850	900	950	1000	450	500	550	600	
250	8	8	8	8	8	8	8	8	8	8	8	8	8	8	8	8	8	8	8	8	8	8	8	8
300	8	8	8	8	8	8	8	8	8	8	8	8	8	8	8	8	8	8	8	8	8	8	8	8
350	8	8	8	8	8	8	8	8	8	8	8	8	8	8	8	8	8	8	8	8	8	8	8	8
400	8	8	8	8	8	8	8	8	8	8	8	8	8	8	8	8	8	8	8	8	8	8	8	8
450	8	8	8	8	8	8	6	8	8	8	8	8	8	8	8	8	8	8	6	8	8	8	8	8
500	8	8	8	8	8	6	6	8	8	8	8	8	8	8	8	6	6	6	6	8	8	8	8	8
550	8	8	8	8	6	6	6	8	8	8	8	8	8	6	6	6	6	6	6	8	8	8	8	8
600	8	8	8	6	6	6	6	8	8	8	8	8	6	6	6	6	6	6	6	8	8	8	8	8
650	8	8	8	6	6	6	6	8	8	8	8	6	6	6	6	6	6	6	6	8	8	8	8	8
700	8	8	6	6	6	6	6	8	8	8	6	6	6	6	6	6	6	6	6	8	8	8	8	6

cm	850	900	950	1000	1050	1100	1150	1200	1250	1300	1350	1400	1450	1500	850	900	950	1000	
250	8	8	8	8	8	8	8	8	8	8	8	8	8	8	8	8	8	8	8
300	8	8	8	8	8	8	8	8	8	8	8	8	8	8	8	8	8	8	8
350	8	8	8	8	8	8	8	8	8	8	8	8	8	8	8	8	8	8	8
400	8	8	8	8	8	8	8	8	8	8	8	8	8	8	8	8	8	8	8
450	8	8	8	8	8	8	8	8							8	8	8	8	8
500	8	8	8	8	8	8	8	8							8	8	8	8	8
550	8	8	8	8	8	6	6	6							8	8	8	8	8
600	8	8	8	6	6	6	6	6							8	8	8	6	8
650	8	8	6	6	6	6	6	6							8	8	6	6	8
700	6	6	6	6	6	6	6	6							6	6	6	6	6



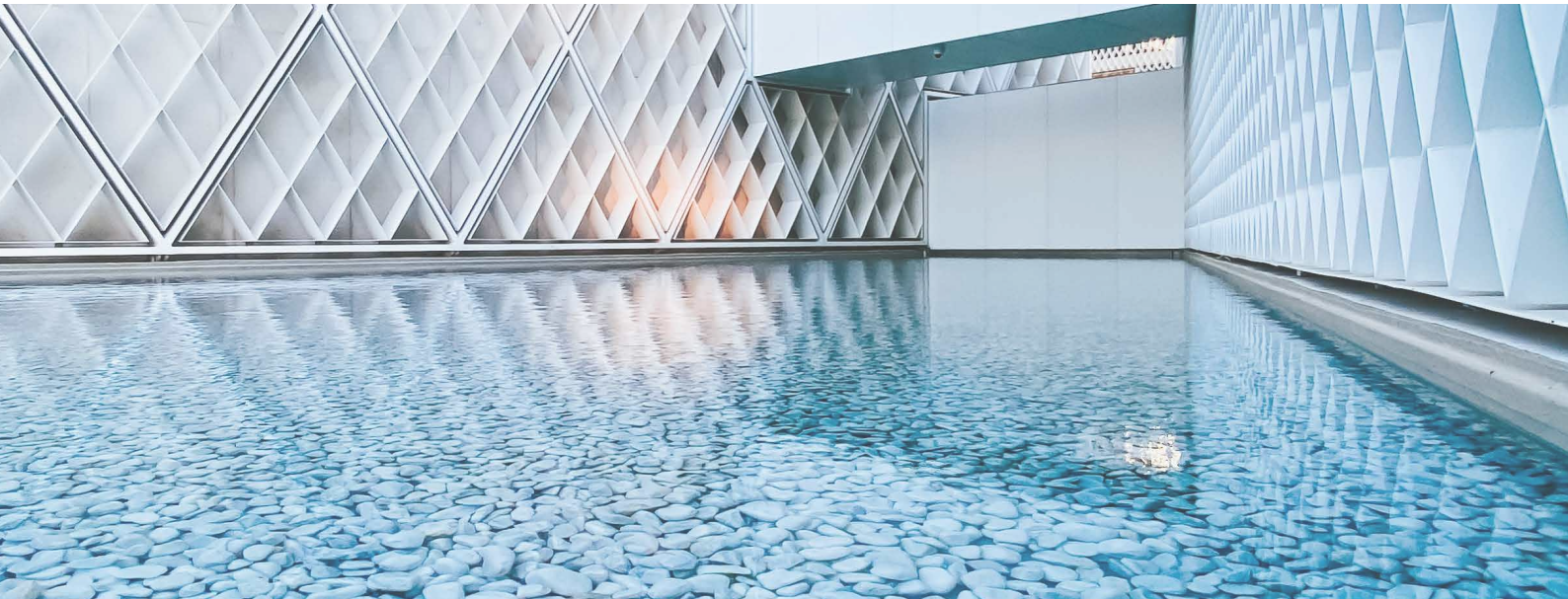
The KE painting process includes high quality standards, with an 8-stage pre-treatment that includes degreasing, deoxidation, and protective treatments before painting. Thanks to this last phase, components and profiles are further guaranteed against particularly severe environmental situations. At the end of the process the profiles and components are painted with polyester resin-based epoxy powders. Treated components are periodically tested in salt spray according to the ISO 9227 standard to confirm conformity and consistency of the process. The European product standard EN 13561: 2015 defines corrosion resistance classes of the metal parts that make up the product according to the table below. Tests performed on the painted components and profiles allow us to classify the product in the maximum class achievable according to EN 13561: 2015, C2 / 4 (48 h - internal components, 240 h - external components).

Equipped with the most modern process control systems including continuous monitoring in which the working parameters are recorded and corrected every 2 minutes, the new painting process guarantees the high quality characteristics of the product while minimizing the risk of environmental pollution. This is a choice born from the desire to always keep up with technology while guaranteeing operator safety and low environmental impact. Thanks to nanotechnologies, the implemented coating constitutes an excellent base for anchoring paints, ensuring excellent adhesion and resisting corrosion. The plant in which aluminum or galvanized steel products with a length of up to 7 meters can be treated, includes 7 treatment tanks, 1 double compartment drying oven, 1 polymerization oven and 1 purification plant for waste water treatment. The real focus of the plant, however, is the two powder coating booths, each with 4 stations for manual retouching. The booths allow greater production continuity, thanks to a drastic reduction in required stops for color changes.

### CORROSION RESISTANCE

Classes	1	2	3	4
Internal components	24	48		
External components		48	96	240

# COLOURS



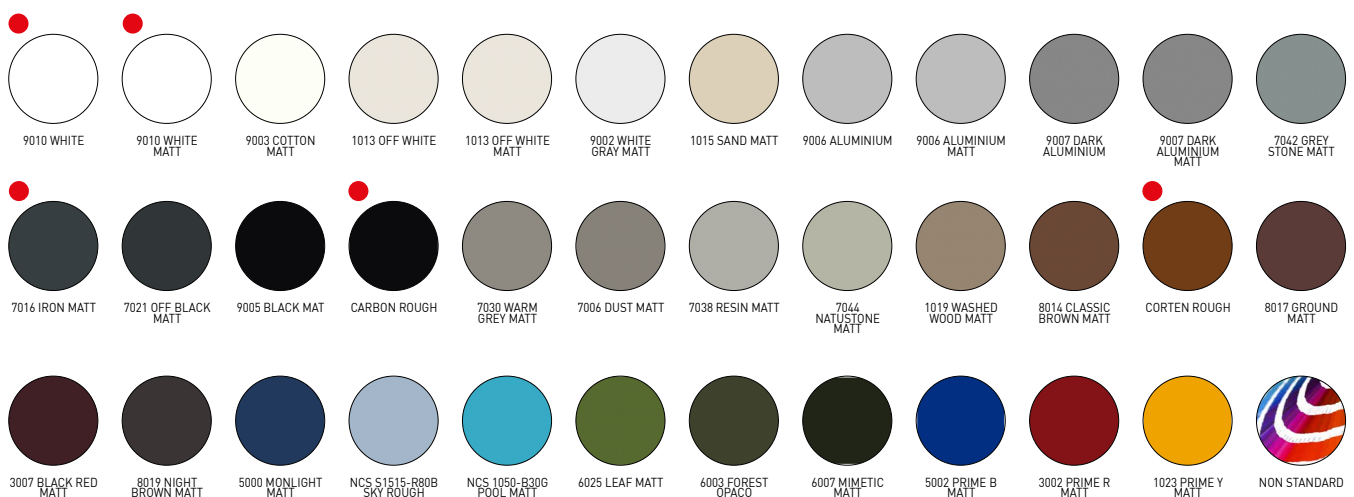
When working with color, we know that our whole world is defined by light. And color is nothing more than a breakdown of light. Objects reflect back to our eyes only the color that defines it. This is why it is so important to recognize the close link between color and matter. For this project, there are three keywords that guide the research: Words, Places, Matters.

**WORDS:** Naming colors is important to make them familiar and easily recognizable.

**PLACES:** Places define colors. Recognizing different types of places is a starting point for defining and suggesting color combinations.

**MATERIALS:** Objects do not exist in isolation, but rather match the environment around them: analyzing the materials that make up the environment itself helps us to make decisions; to decide, for example, if the character of a place is false or if instead it is genuinely artistic.

## COLOURS RAL



● Ral standard (without supplement)

## COLOURS

STRUCTURE COLORS	PLASTIC COLORS
RAL 9010 WHITE MATT	White
RAL 9010 WHITE	White
RAL 1013 OFF WHITE MATT	Ivory
RAL 1013 OFF WHITE	Ivory
RAL 9006 ALUMINIUM MATT	Black/Gray
RAL 9006 ALUMINIUM	Black/Gray
RAL 9007 DARK ALUMINIUM MATT	Nero
RAL 9007 DARK ALUMINIUM	Black/Gray
RAL 8014 CLASSIC BROWN MATT	Black
CORTEN ROUGH	Black
RAL 7016 IRON MATT	Black
CARBON ROUGH	Black
RAL 9005 BLACK MATT	Black
RAL 9003 COTTON MATT	White
RAL 9002 WHITE GRAY MATT	White
RAL 7038 RESIN MATT	Black/Gray
RAL 7044 NATURAL STONE MATT	Black/Gray
RAL 7030 WARM GREY MATT	Black/Gray
RAL 7042 GREY STONE MATT	Black/Gray
RAL 1015 SAND MATT	Ivory
RAL 1019 WASHED WOOD MATT	Black
RAL 7006 DUST MATT	Black
RAL 3007 BLACK RED MATT	Black
RAL 8017 GROUND MATT	Black
RAL 8019 BIGHT BROWN MATT	Black
RAL 7021 OFF BLACK MATT	Black
RAL 5000 MONLIGHT MATT	Black
NCS S1515-R80B SKY ROUGH	Black
NCS 1050-B30G POOL MATT	Black
RAL 6025 LEAF MATT	Black
RAL 6003 WOOD MATT	Black
RAL 6007 MIMETIC MATT	Black
RAL 5002 PRIME B MATT	Black
RAL 3002 PRIME R MATT	Black
RAL 1023 PRIME Y MATT	Ivory

N.B. For colors not listed, KE reserves the right to select the best possible color combination between the frame and the available plastic components.



There is increasing demand for high-performance buildings that have a very low energy consumption and use energy derived from renewable sources. In particular, the limitation of solar heat gain is one of the most important aspects of summer thermal comfort. Solar shading plays an essential role in this concept. The gtot value determines the ability of the solar shield to maintain, in an environment directly exposed to solar radiation, a more comfortable temperature than that which would occur with the presence of glass alone. The solar heat gains are directly proportional to the total transmittance of solar energy gtot, a value that depends on the glazing and external shielding. The European product standard EN 13561: 2015 and the EN 14501 standard identify 5 energy performance classes as shown in the table below.

Effect of GTOT on thermal comfort					
Gtot value	$\geq 0,50$	$\geq 0,35 \text{ e } < 0,50$	$\geq 0,15 \text{ e } < 0,35$	$\geq 0,10 \text{ e } < 0,15$	$< 0,10$
Class	0	1	2	3	4
	very mild effect	Mild effect	Moderate effect	good effect	very good effect

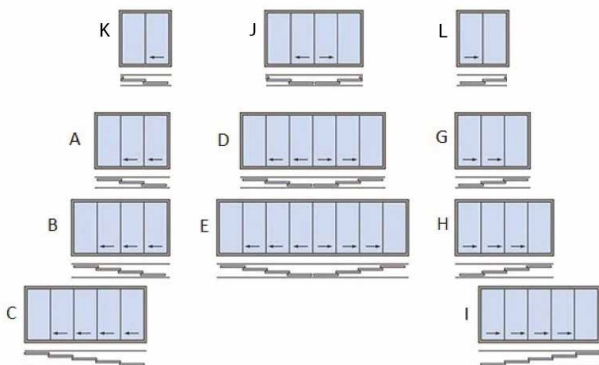
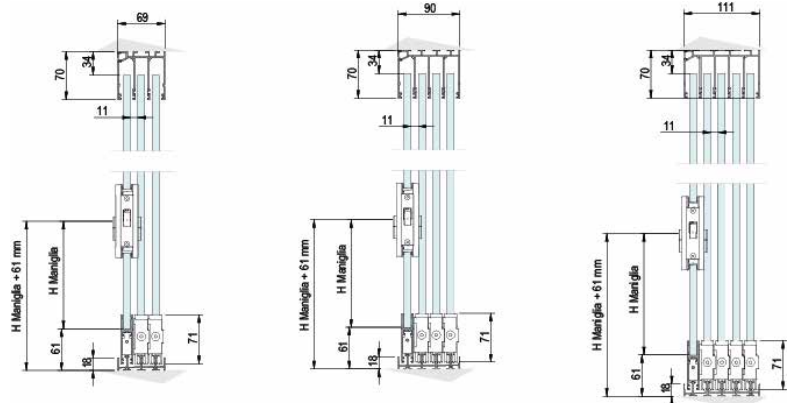
Each KE product has a Gtot value according to the shading fabric / profiles used. For details, refer to the information provided with the technical data sheet of the fabric and the CE label.

# OPTIONAL\_LINE GLASS



Sliding windows with frameless doors. Lower track only 18 mm high. Easy installation with left or right hand opening. Side or central closure. Packaging with aligned windows. Height adjustment up to 8 mm for each single door. Removable for easy cleaning. Closure with self-locking and / or lock. Waterproofing is not guaranteed during heavy rain or rain with wind.

## Technical Details



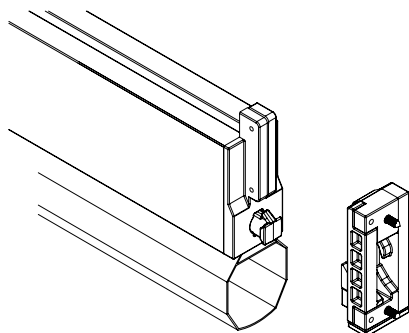


Vertika is a vertical closure that provides protection from sun and rain.  
It can be equipped with WIND BLOCK, a locking tensioning system for the fabric.  
With Vertika you can use blackout and filtering fabrics to better manage solar radiation.

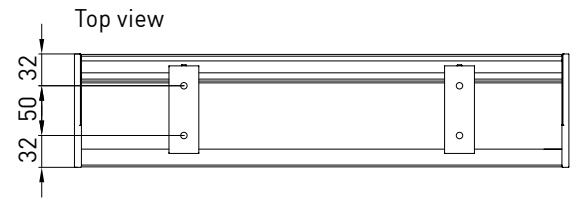
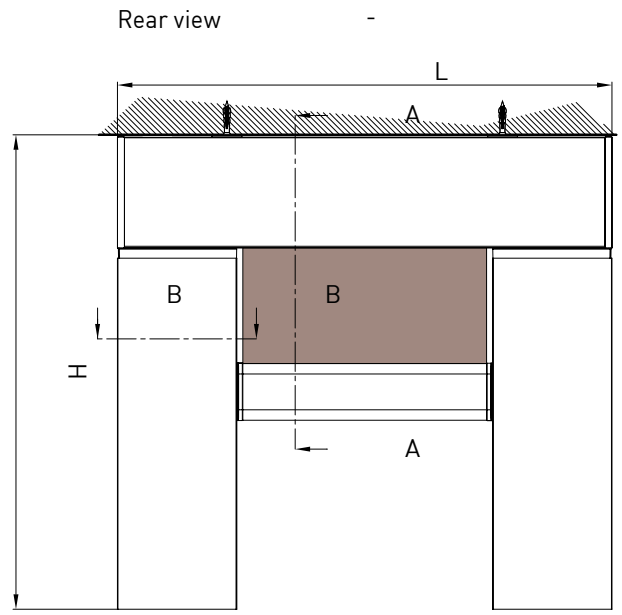
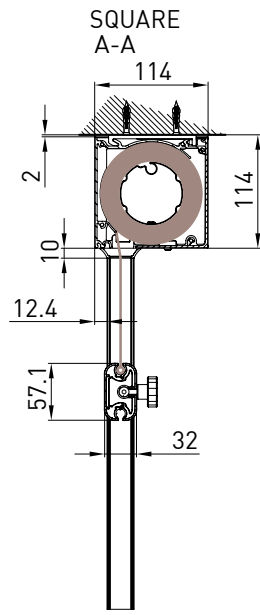
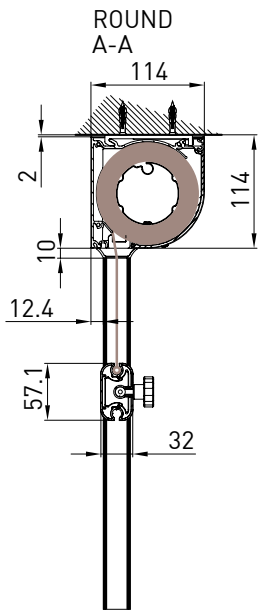
- AVAILABLE:
  - 110 GPR
  - 110 GPZ
  - 110 GPZ H2F
  - 130 GPR
  - 130 GPZ



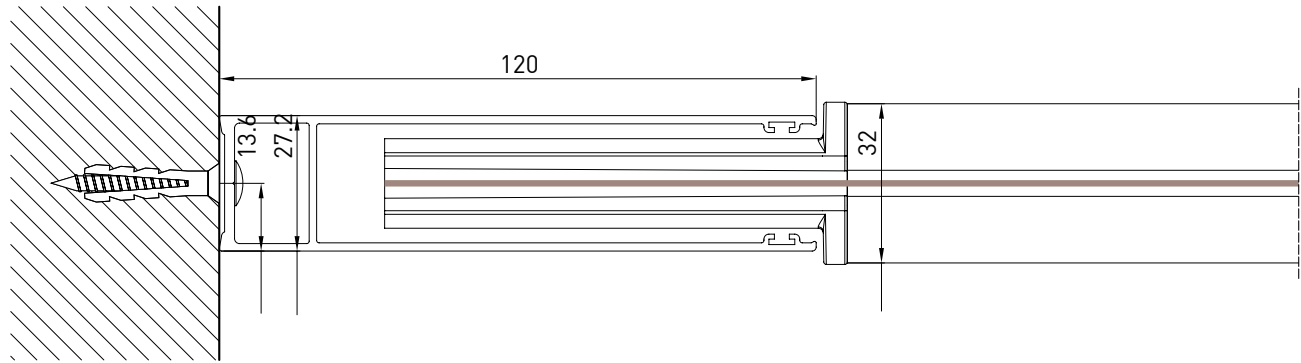
### Technical Details

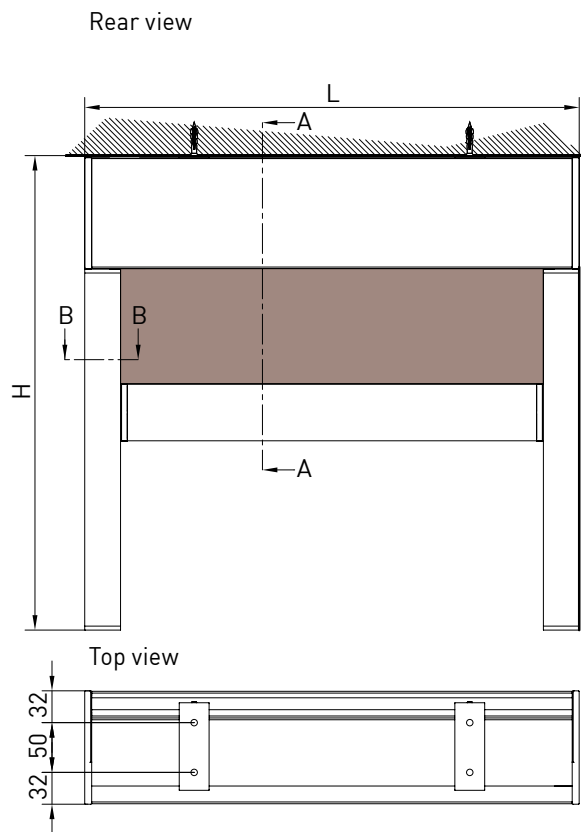
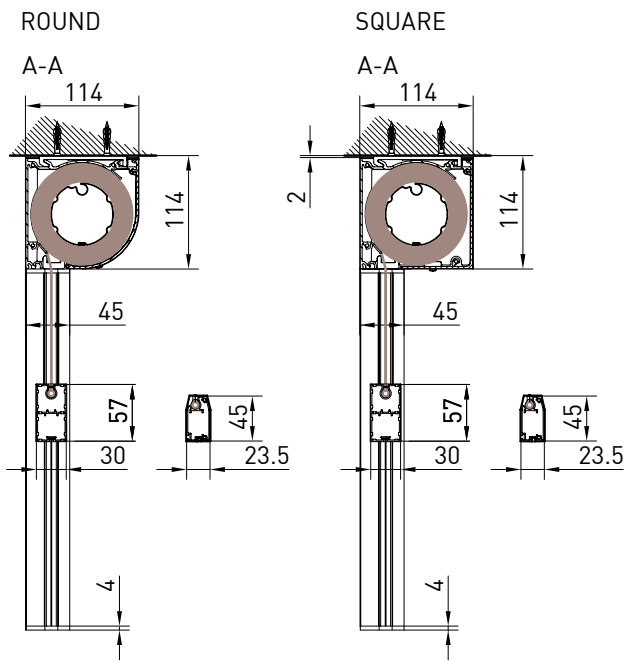


WIND BLOCK: Front bar Interlock device to be used on 100 and 130 Screeny GPZ guide, GPZ I and Gpz Unica. In wind, front bar stays locked in the low position and fabric is steadily tightened when the awning is opened completely.

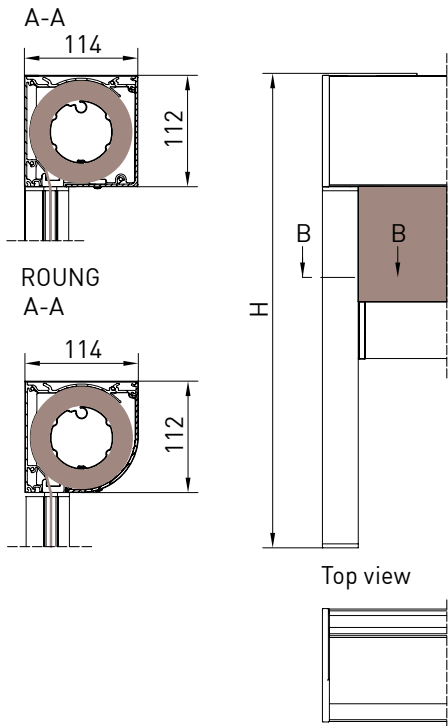


Niche guide  
B-B



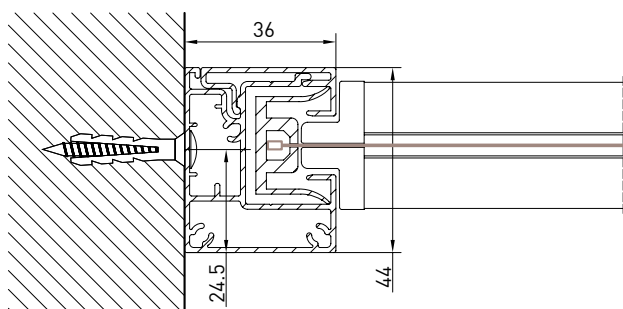


FREESTANDING - SQUARE



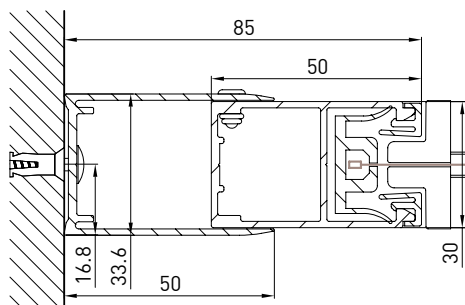
# VERTIKA\_110 GPZ

Niche guide  
B-B

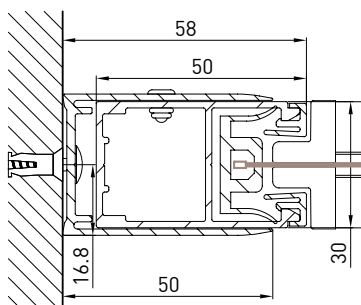


GPZ C

Niche guide  
B-B

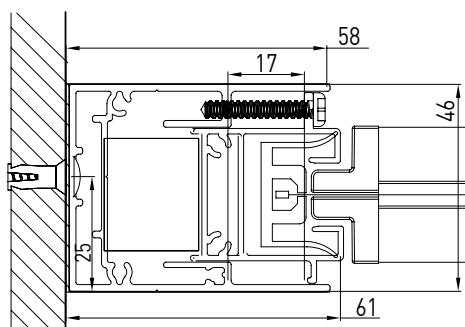


Niche guide  
B-B

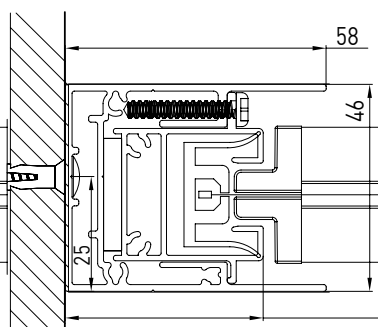


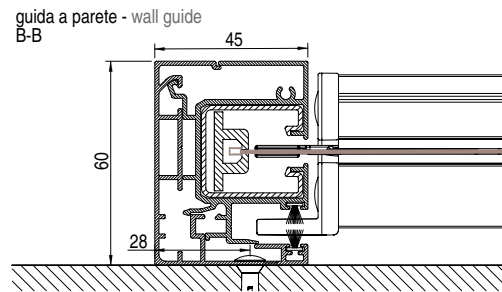
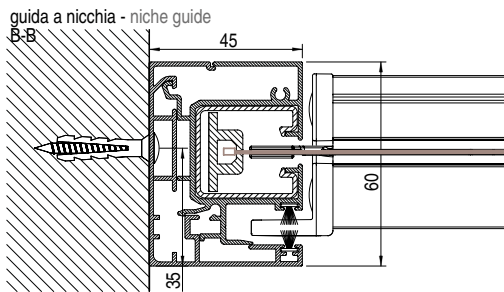
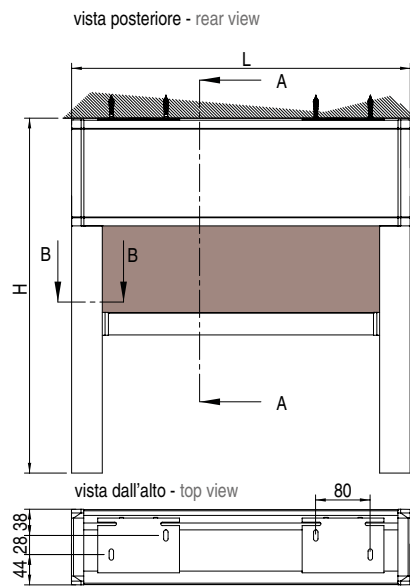
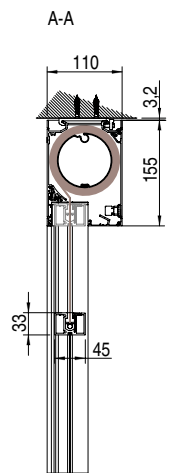
GPZ I

Niche guide  
B-B

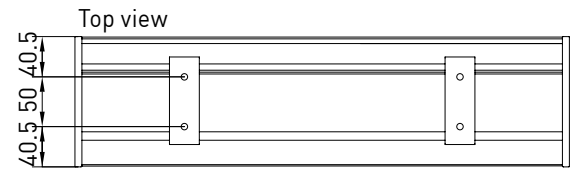
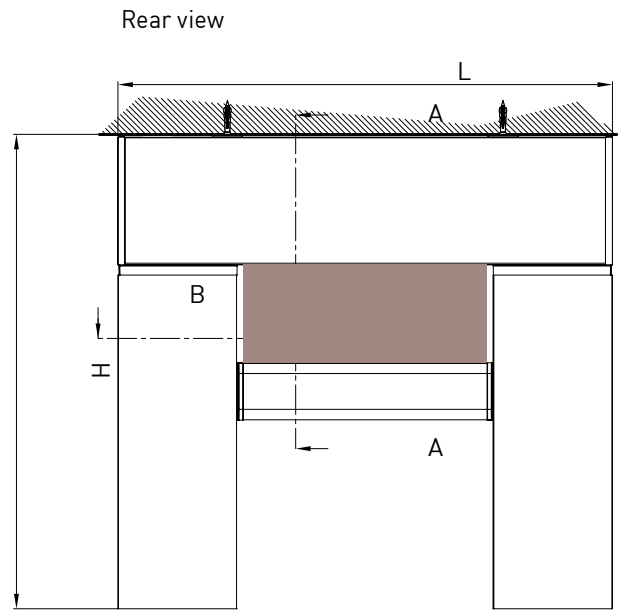
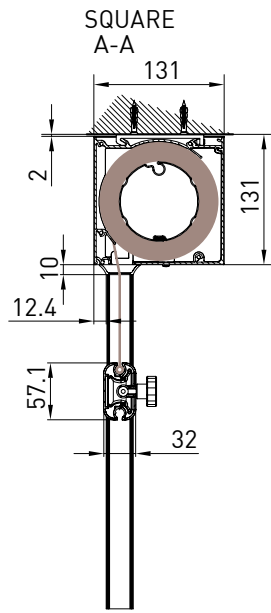
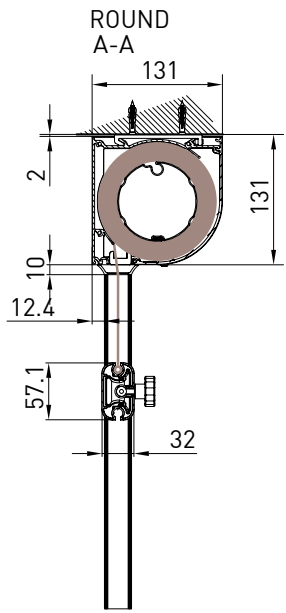


Niche guide  
B-B

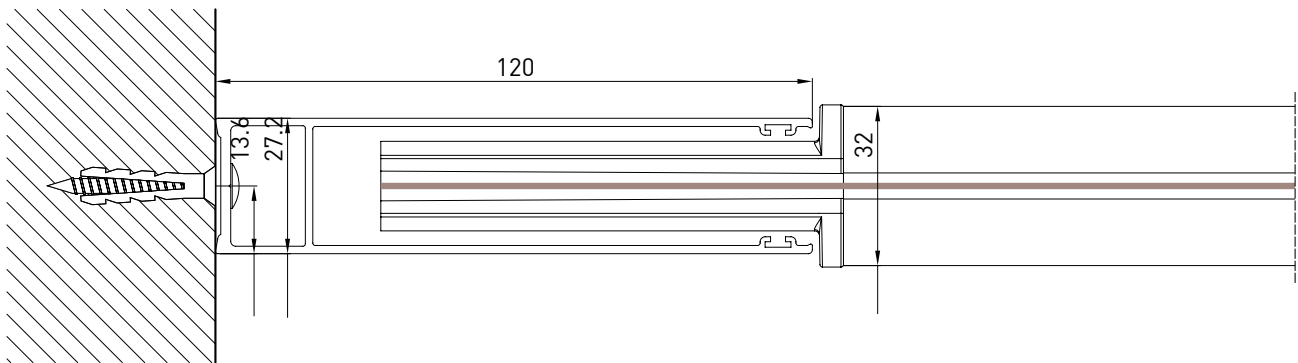




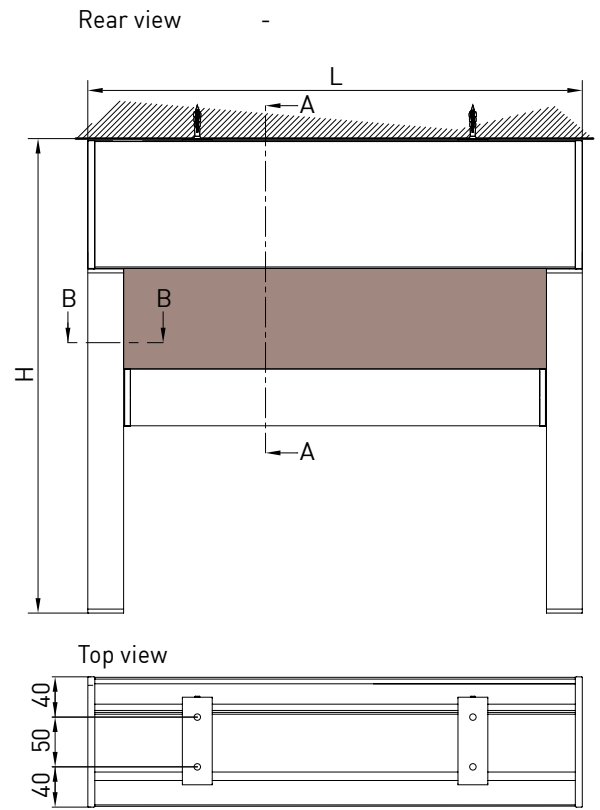
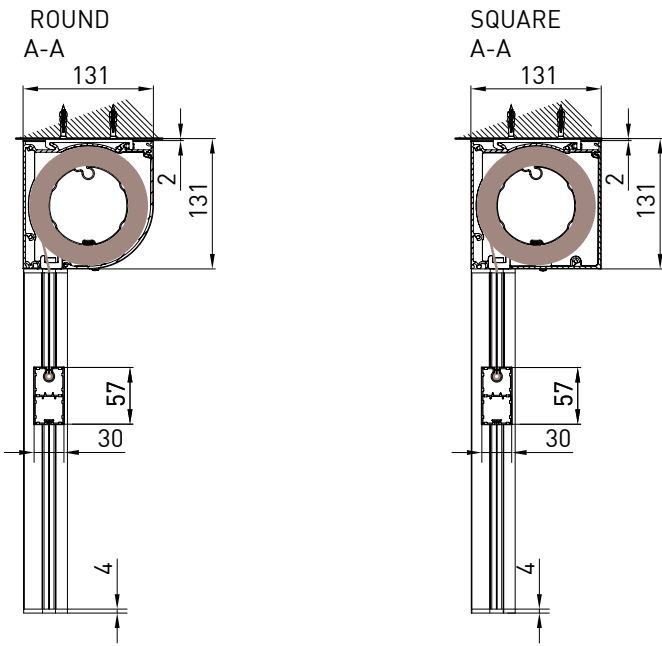
# VERTIKA\_130 GPR



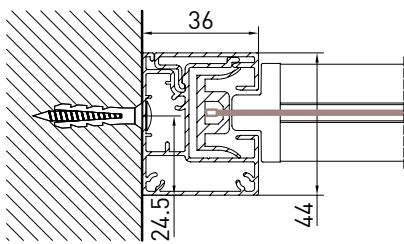
## Niche guide B-B



# VERTIKA\_130 GPZ

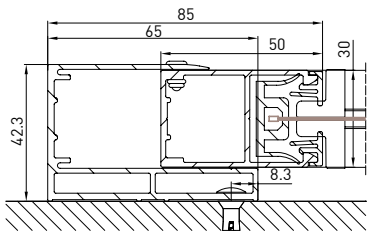


## Niche guide B-B

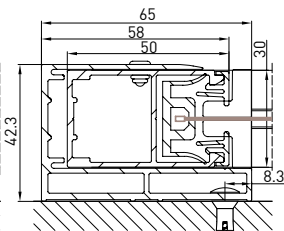


## GPZ C

Wall guide (GCP)  
B-B

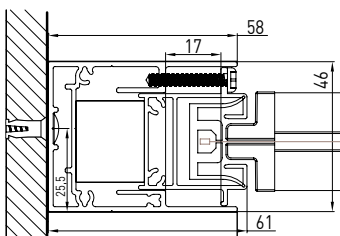


Wall guide (GCP)  
B-B

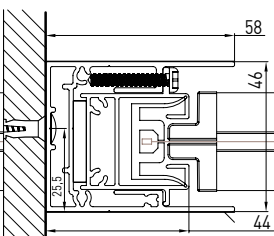


## VERSIONE GPZ I

Niche guide  
B-B



Niche guide  
B-B



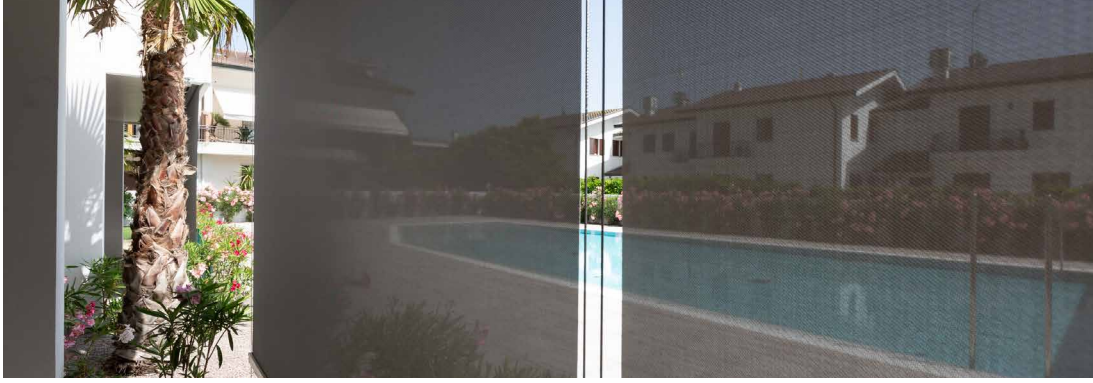
## OPTIONAL SIDE CLOSURES \_ DOORS AND CURTAINS



The doors have been designed to provide protection from water and wind. They are made from extruded aluminum alloy profiles (EN-AW 6060-T6) and 4 + 4 pvd 0.76 safety and shatterproof laminated glass in accordance with UNI 7697 2014. Doors are available in either one or two door versions.

The interior of the structure can be enhanced with decorative curtains. That extra romantic touch which will surely be appreciated by anyone looking for a little privacy or who want "a room all to themselves".

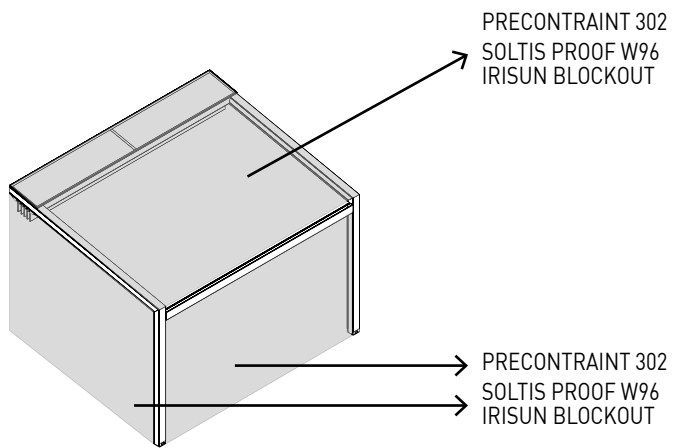
## FABRICS



# KE

Thermal comfort blends perfectly with beautiful style thanks to the more than 500 high performance fabrics available. A wide variety of colors, styles and solar shading factors allow for a system that meets your specific needs. All fabrics are CE Certified according to the EN 13561 and EN 14501 technical standards.

N.B.  
See the Fabric Guide for further fabric specifications.



### Standard

---

- PRECONTRAIT 302

### Optional

---

- SOLTIS PROOF W96  
IRISUN BLOCKOUT

DICHIARAZIONE DI PRESTAZIONE  
008-01/2017

Codice identificazione prodotto: XTESA

Uso previsto del prodotto da costruzione, conformemente a UNI EN 13561:2015 - EN 1932:2013:  
*Tende per uso esterno*

Nome e indirizzo del fabbricante:  
KE PROTEZIONI SOLARI S.r.l.  
Via Calnova, 160/a  
30020 NOVENTA DI PIAVE (VE) -ITALY

Sistema di valutazione e verifica della costanza della prestazione del prodotto da costruzione:  
Sistema 4

Specifica armonizzata:  
UNI EN 13561:2015 - UNI EN 1932:2013

Classificazione secondo Prospetto 1 - § 4.1 UNI EN 13561:2015:

Classi di resistenza al vento	0	1	2	3	4	5	6
Pressione nominale del vento $p_N$ (N/m <sup>2</sup> )	<40	40	70	110	170	270	400
Pressione di sicurezza del vento $p_S$ (N/m <sup>2</sup> )	<48	48	84	132	204	234	480

Velocità massima del vento al di sopra della quale la tenda deve essere ritratta:

Classi di resistenza al vento	0	1	2	3	4	5	6
Velocità del vento (km/h)	<25	25	35	45	55	65	80

Prestazione dichiarata:

Resistenza ai carichi da vento – Configurazione a 1 modulo								
		Larghezza (cm)						
		200	250	300	350	400	450	500
Sporgenza (cm)	250	6	6	6	6	6	6	6
	300	6	6	6	6	6	6	6
	350	6	6	6	6	6	6	6
	400	6	6	6	6	6	6	6
	450	6	6	6	6	6	-	-
	500	6	6	6	6	6	-	-
	550	6	6	6	6	5	-	-
	600	6	6	6	5	5	-	-
	650	6	6	6	5	5	-	-
700	6	6	5	5	5	-	-	

Resistenza ai carichi da vento – Configurazione a 2 moduli – 3 colonne													
		Larghezza (cm)											
		450	500	550	600	650	700	750	800	850	900	950	1000
Sporgenza (cm)	250	5	5	5	5	5	5	5	5	5	5	5	5
	300	5	5	5	5	5	5	5	5	5	5	5	5
	350	5	5	5	5	5	5	5	5	5	5	5	5
	400	5	5	5	5	5	5	5	5	5	5	5	5
	450	5	5	5	5	5	5	5	5	-	-	-	-
	500	5	5	5	5	5	5	5	5	-	-	-	-
	550	5	5	5	5	5	5	4	4	-	-	-	-
	600	5	5	5	5	5	4	4	4	-	-	-	-
	650	5	5	5	5	4	4	4	4	-	-	-	-
	700	5	5	5	4	4	4	4	4	-	-	-	-

Resistenza ai carichi da vento – Configurazione a 2 moduli – 2 colonne					
		Larghezza (cm)			
		450	500	550	600
Sporgenza (cm)	250	5	5	5	5
	300	5	5	5	5
	350	5	5	5	5
	400	5	5	5	5
	450	5	5	5	5
	500	5	5	5	5
	550	5	5	5	5
	600	5	5	5	5
	650	5	5	5	5
700	5	5	5	4	

Resistenza ai carichi da vento – Configurazione a 4 moduli																
		Larghezza (cm)														
		1250	1300	1350	1400	1450	1500	1550	1600	1650	1700	1750	1800	1850	1900	1950
Sporgenza (cm)	250	6	6	6	6	6	6	6	6	6	6	6	6	6	6	6
	300	6	6	6	6	6	6	6	6	6	6	6	6	6	6	6
	350	6	6	6	6	6	6	6	6	6	6	6	6	6	6	6
	400	6	6	6	6	6	6	6	6	6	6	6	6	6	6	6
	450	6	6	6	6	6	6	6	6	-	-	-	-	-	-	-
	500	6	6	6	6	6	6	6	6	-	-	-	-	-	-	-
	550	6	6	6	6	5	5	5	5	-	-	-	-	-	-	-
	600	6	6	5	5	5	5	5	5	-	-	-	-	-	-	-
	650	5	5	5	5	5	5	5	5	-	-	-	-	-	-	-
	700	5	5	5	5	5	5	5	5	-	-	-	-	-	-	-

Resistenza ai carichi da vento – Configurazione a 5 moduli																			
		Larghezza (cm)																	
		1650	1700	1750	1800	1850	1900	1950	2000	2050	2100	2150	2200	2250	2300	2350	2400	2450	2500
Sporgenza (cm)	250	6	6	6	6	6	6	6	6	6	6	6	6	6	6	6	6	6	6
	300	6	6	6	6	6	6	6	6	6	6	6	6	6	6	6	6	6	6
	350	6	6	6	6	6	6	6	6	6	6	6	6	6	6	6	6	6	6
	400	6	6	6	6	6	6	6	6	6	6	6	6	6	6	6	6	6	6
	450	6	6	6	6	6	6	6	6	-	-	-	-	-	-	-	-	-	-
	500	6	6	6	6	6	6	6	6	-	-	-	-	-	-	-	-	-	-
	550	6	6	6	5	5	5	5	5	-	-	-	-	-	-	-	-	-	-
	600	6	5	5	5	5	5	5	5	-	-	-	-	-	-	-	-	-	-
	650	5	5	5	5	5	5	5	5	-	-	-	-	-	-	-	-	-	-
	700	5	5	5	5	5	5	5	5	-	-	-	-	-	-	-	-	-	-

Trasmittanza totale di energia solare  $g_{tot}$ : valore come riportato in etichetta CE.

La prestazione dei prodotti sopra indicati sono conformi all'insieme delle prestazioni dichiarate.  
Si rilascia la presente dichiarazione di prestazione sotto la responsabilità esclusiva del fabbricante sopra identificato.

Noventa di Piave, 02 Gennaio 2017

Simone Mazzon  
Amministratore delegato





Lighting plays a very important role in allowing our pergolas to be used at any time of day. KE uses LED lights, perfectly integrated into the profiles of the structures. LED technology allows for low energy consumption, multiple applications and changes to light color and intensity using a simple remote control.

N.B.  
See the Fabric Guide for further fabric specifications.

### DONNÉES TECHNIQUES:



STRIP LED	
<b>Watt</b>	10W
<b>volt</b>	24V
<b>flow</b>	830lm
<b>Color temperature</b>	3400 K
<b>LED/m</b>	98 led/m



### **EN ISO 9001 \_ Quality**

KE has adopted a Quality Management System compliant with EN ISO 9001 requirements in order to maintain and increase quality and meet the highest customer expectations. This continuous improvement, through the control of all processes and careful evaluation of risks and opportunities, engages the entire organization in the development of systems to ensure the safety and reliability of the product and in the search for innovative solutions and technologies.

### **OHSAS 18001**

KE ha activado un Sistema de Gestión de la Seguridad como parte integral de su organización de trabajo, comprometiéndose a organizar toda la estructura con el fin de perseguir objetivos de mejora continua en el campo de la seguridad y protección de la salud. Se promueve la formación, el conocimiento y el cumplimiento de la legislación vigente en materia de Salud y Seguridad en el trabajo, cooperación y colaboración, se prefieren acciones preventivas con el fin de minimizar la probabilidad de condiciones de incumplimiento.

### **EN ISO 14001 \_ Environment**

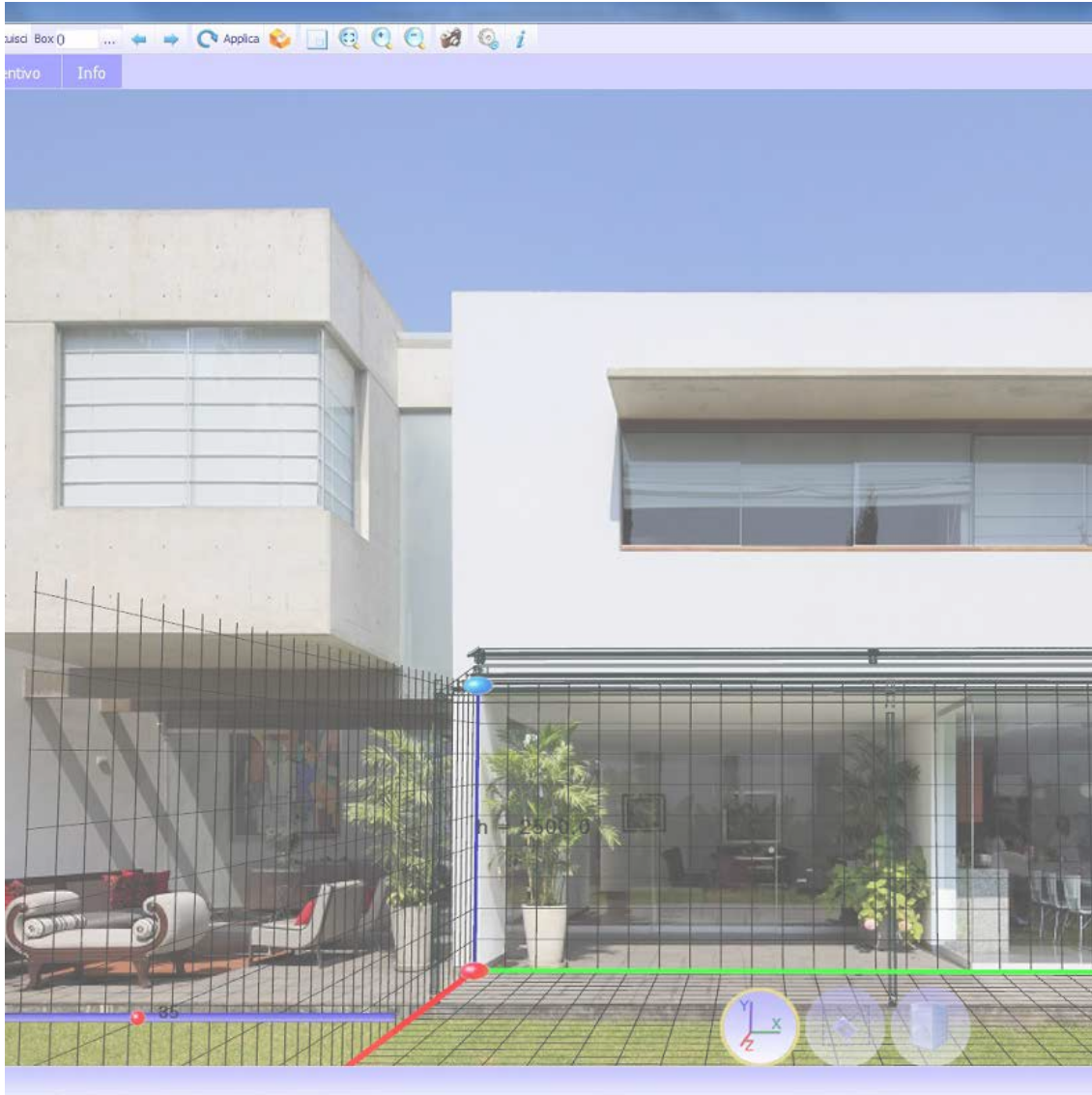
KE is ISO 14001 certified for environmental management and strives to be an example of respect for environmental resources and for the continuous improvement of its environmental management system. It is committed to continuous improvement and pollution prevention in compliance with applicable laws, regulations and standards; systematically detects any environmental impact of manufacturing processes, promotes the culture of recovery and recycling in the company and in the related production chain.

### **CE MARK \_ EN 13561**

The CE marking of outdoor awnings is a signal to the Consumer that the product can be sold freely in the EU single market, as it complies with Community provisions which recognize safety as the priority of every product that has this agreed upon reference standard. Verification of wind resistance capacity and the clear indication of the ability of the awning to contribute to the energy savings of the building (Gtot), are some of the commitments that the manufacturer makes to a product that has earned the CE marking. The name of the manufacturer, the reference standard (in our case EN 13561) accompany a product that is properly adapted to European indications.

### **CE MARK \_ EN 1090-1**

KE extended the CE marking in 2015 to stationary awnings, which are among the aluminum structural components covered by the international standard EN 1090-1. This marking reflects our use of rigorous structural design and manufacturing with qualified processes, adequate industrial resources and qualified personnel.



The KE B2B order system is a simple and intuitive service for placing orders conveniently online. An attractive graphic design, numerous functionalities and an easy and intuitive use mode that allows to access in real time to all the information related to the history of the orders and to the processing of the current ones. With the Cad Lite 3D Configurator you can configure Gennius and Bioclimatica models thanks to a constantly updated online catalogue. Thanks to an easy-to-use interface, it also allows you to formulate a complete quote with minimal error.





Home > Ambienti

## Ambienti

La nostra missione è creare nuovi spazi outdoor da vivere in totale armonia. Grazie alle nostre **coperture solari e alle strutture per esterni personalizzate, potrai arredare con stile il tuo terrazzo, giardino, attico, ma anche modulare...** [Leggi di più](#)



BIM technology improves the working method of designers and is now the main source of information for the realisation of a project. With BIM the model is generated in a "parametric 3D" from which a series of information such as 2D views, elevations, sections but also metric calculations and much more can be automatically derived. On the KE website you can find the BIM gallery of the main KE models, the certifications and all the useful technical documentation for each product: [www.keoutdoordesign.com](http://www.keoutdoordesign.com)

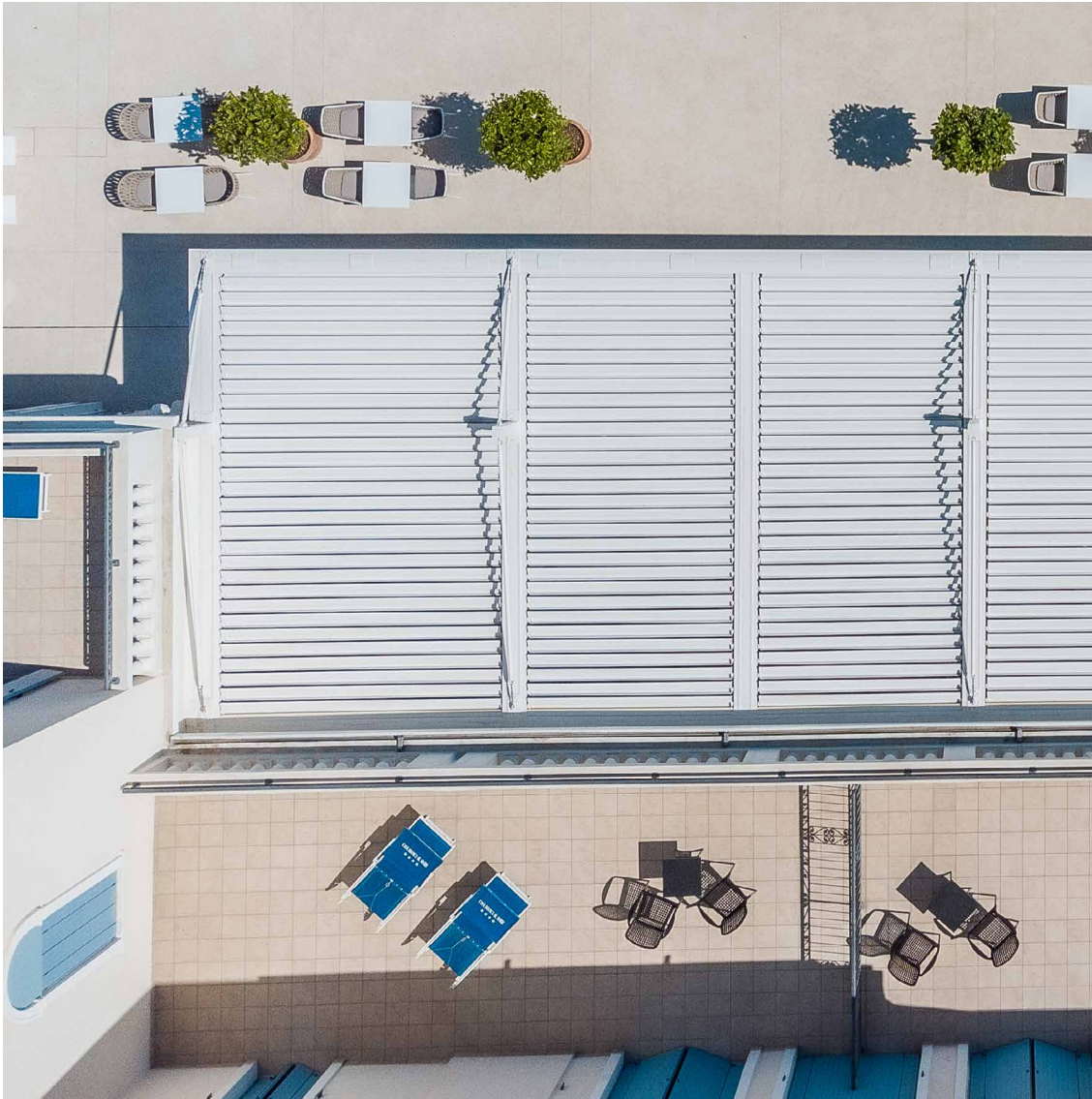
Area Clienti IT-IT

Referenze Area Media

- Brochure e Cataloghi
- BIM & 3D Models
- Blog
- News
- Video

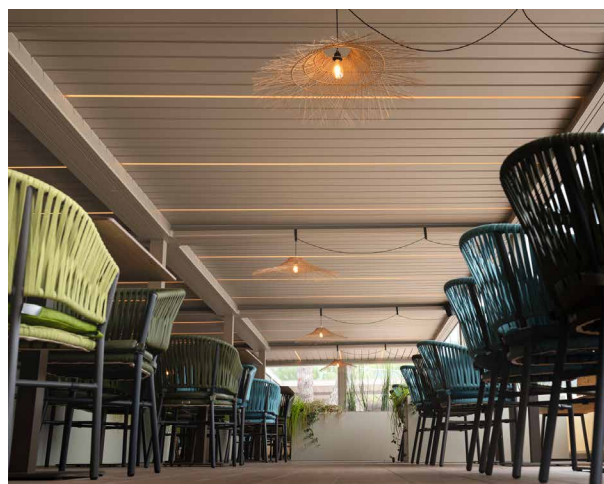
POWERED BY SYNCRONIA





**A GROUP,  
A VISION,  
A GROUP IN EVOLUTION**

Since 1987, KE has been designing and manufacturing arm awnings, cassette awnings, drop awnings, canopies, shelters and is specialised in shading structures that enhance the liveability of outdoor spaces, up to the redesign and restyling of urban furniture. Both for the variety of the range and the depth of the configurations, KE is a manufacturing reality able to satisfy the most demanding requests the most demanding requirements of designers, architects, window and door manufacturers, upholsterers and outdoor professionals.



**Improving the experience**

With KE's professionalism and experience you can rely on quality products designed to enhance your customers' outdoor experience. With KE it will be easier to live the outdoor space in perfect harmony with the surrounding environment, widening the viewpoints and ensuring maximum comfort in all seasons.