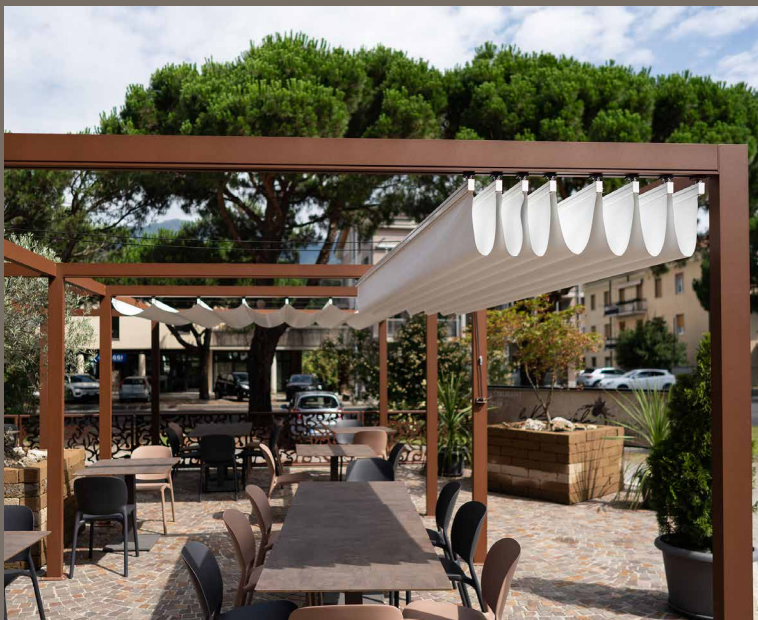


ISOLA 3

20.04.2026_rev.01



KE





PLUS PRODUCT



SCREWS

Hidden and included Screws and fasteners into the design



ARCHED ROOF

the arched shaped roof allows minimum height overall dimensions and enhances the structure design



The integrated LED spotlights ensure an illumination with reflected light: external, internal



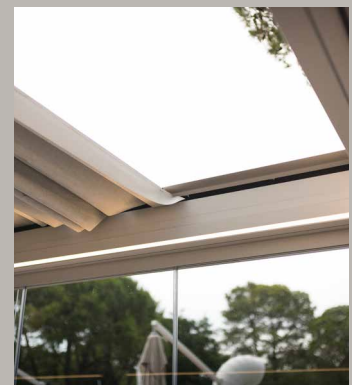
MODULAR SYSTEM

infinite number of modules can be installed side by side



CLOSURE

Possibility of side closures with vertical drop down screens, sliding glass doors and draped curtains



AUTOMATION

wind, rain and temperature sensors, together with cutting-edge automation

ISOLA 3

KE



↔ 550 ↻ 1000



↔ 180 ↻ 100

Modular aluminum pergola awning with reclosable wrap-around awning.

The curtain, which is stretched at maximum opening, is fixed on arched crossbars and slides horizontally by means of trolleys on guides thanks to the insertion of tubular motors.

The maximum dimensions allowed are 550x1000 with 300 cm. high pillars. 55 mq coverage area for single module.

The profiles are made of EN AW-6060 extruded aluminium alloy (with 16 x 23 cm guides and 16 x 16 cm columns).

Each module is motorised separately.

Freestanding or wall-mounted versions are available with steel brackets and screws.

The painting of the interested parties is carried out with epoxy powders based on polyester resin.

The standard colors are RAL 9010 White, RAL 9010 mat White, RAL 7016 Iron, rough Carbon and rough Corten.

Opatex Flat are the fabrics available as standard.

The formation of condensation on the fabric is a natural phenomenon not to be considered a defect.

Among the options shown, there are others available as displayed in the samples. Possibility of both internal lighting on calendered arches and perimeter, and external lighting on the girder, through the installation of LED strips.

Moreover, it is foreseen the insertion of light sensors, rain sensors and anemometers with the possibility of remote management through connection devices that make it integrable with the home automation of the house.

Possibility of side closures with vertical drop down screens, sliding glass doors and draped curtains.

Wind resistance guaranteed up to class 6 (EN 13561:2015).

GTOT solar shading class (EN 14501:2006) assigned to the fabric.

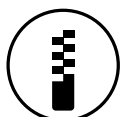
Product certified with CE marking according to EN 13561:2015

OPTIONAL

LIGHT



VERTIKA

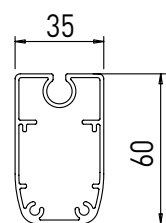
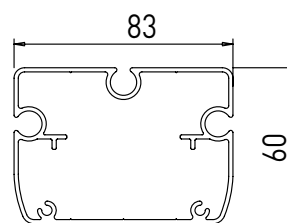
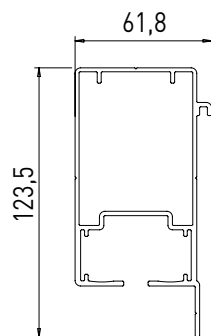
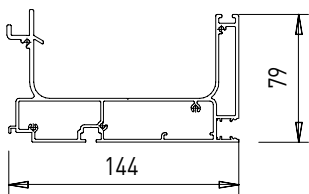
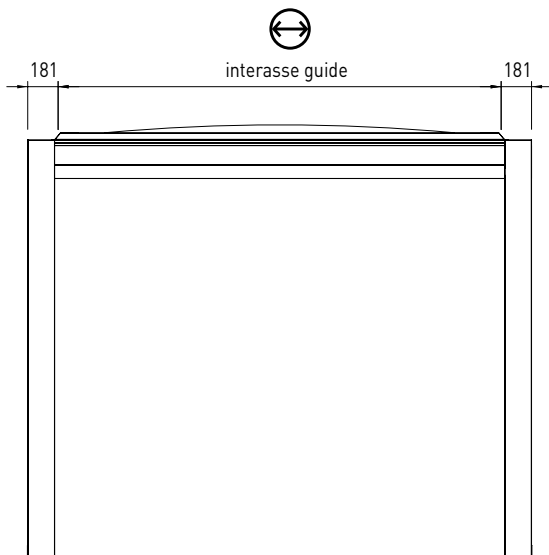
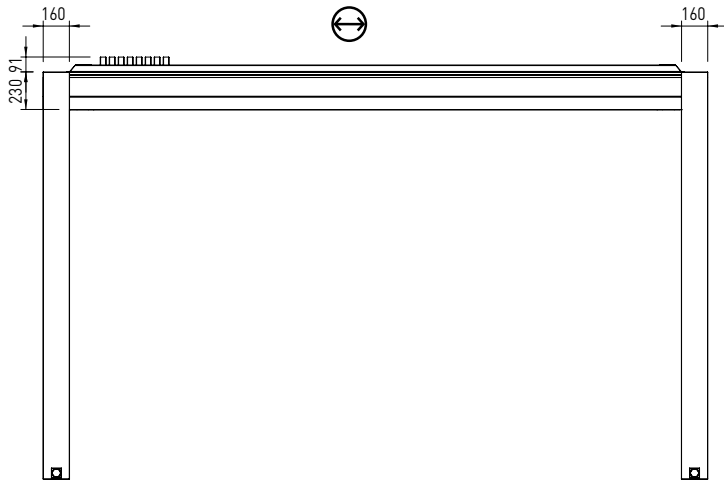


GLASS DOORS



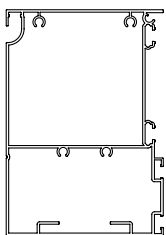
TECHNICAL INFORMATION

General technical plan



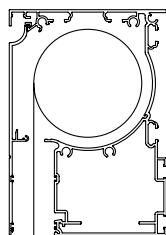
TECHNICAL INFORMATION

A standard



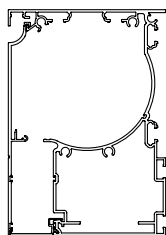
A standard

B optional



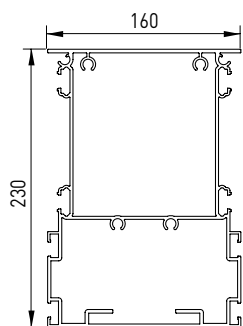
B optional

C optional



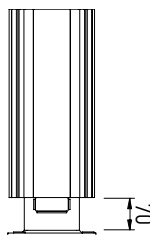
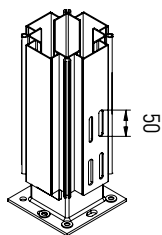
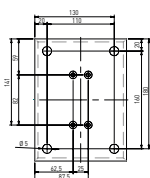
C optional

Connecting beam

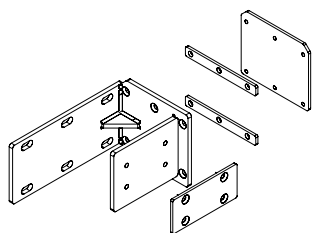


Connecting beam

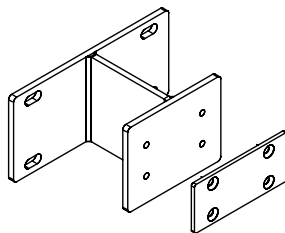
Ground connection



Wall installation



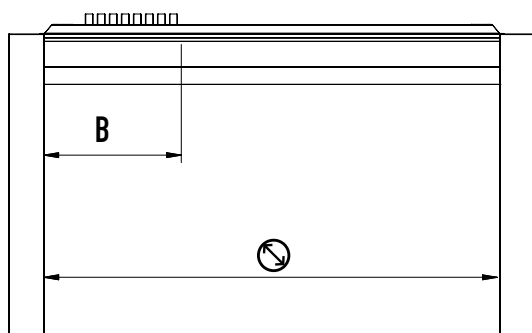
Right/Left



Central reinforcement
bracket for L → 275


TECHNICAL INFORMATION

Cloth dimensions



Indicative values of the fabric encumbrance and the number of the fabric carrying crossbar profiles.

Traverse movement

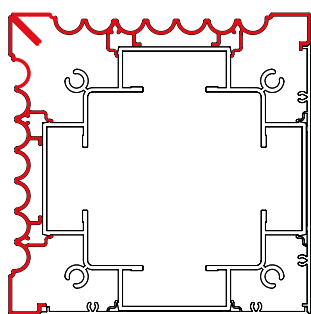
	B cm	N
250	65	7
300	70	8
350	76	9
400	82	10
450	94	12
500	100	13
550	106	14
600	112	15
650	124	17
700	130	18
750	136	19
800	142	20
850	154	22
900	160	23
950	166	24
1000	172	25

Crossbar profile numbers (terminals included). Maximum interaxis fabric carrying cross bar profiles measure cm 40.

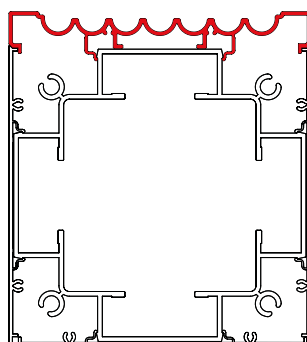
ISOLA 3 CLASSIC



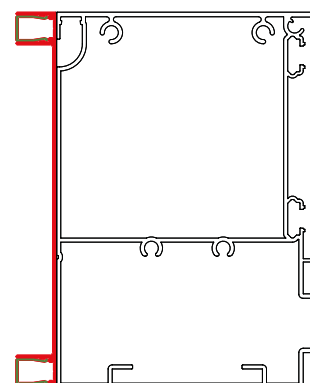
Isola 3 in the Classic version features elegant workmanship in the outer profiles and the outer sides of the columns. In this version there is no possibility of installing LEDs in the outer profiles.



Corner column



Central column



Perimeter beam



WIND RESISTANCE

The wind resistance of an exterior shade system is characterized by its ability to support defined loads by simulating wind with positive or negative pressure. In order to define a correlation between the wind resistance class according to the classes defined by the technical standard EN 13561 and the wind speed expressed in Km / h, a comparative table with the Beaufort scale is used. The Beaufort Scale classifies winds according to the speed at which they blow. Wind speed is measured in kilometers per hour (km / h) or in nodes using a measuring instrument, called anemometer, at a height of about 10 meters above the ground.

	DESCRIPTION	WIND SPEED km/h	WIND SPEED km/h	WIND SPEED Nodi	WIND EFFECTS ON THE GROUND	EN 13561
4	Moderate breeze	5,5 - 7,9	20 - 28	11 - 16	It raises dust and bits of paper and moves the small branches of trees.	Class 1
5	Fresh breeze	8,0 - 10,7	29 - 38	17 - 21	Shrubs with leaves begin to sway, inland waters rippling.	Class 2
6	Strong breeze	10,8 - 13,8	39 - 49	22 - 27	Even large branches move, umbrellas are used with difficulty.	Class 3
7	Near gale	13,9 - 17,1	50 - 61	28 - 33	The trees begin to sway, walking is difficult against the wind.	Class 4
8	Gale	17,2 - 20,7	62 - 74	34 - 40	Branches break off from the trees, and it is generally impossible to walk against the wind.	Class 5
9	Strong gale	20,8 - 24,4	75 - 88	41-47	Minor structural damage may be caused to buildings (falling tiles or covers fireplaces).	Class 6

Please note: in wind above the maximum class rating, it is necessary to retract the fabric or move blades to upright. For the evaluation of wind resistance of the perimeter closures (Vertika, Vertika Prime, Line glass) refer to the performance declarations of the products themselves. The opening and closing of the screens can be controlled by installing sensors (sun, wind, rain). These aids do not replace the need for visual monitoring and taking manual action to make the awning safe when winds or loads exceed the product's limits. Therefore, the safety of the product is not guaranteed by the use of sensors.

1 L

cm	250	300	350	400	450	500	550
250	9	8	8	8	7	7	7
300	9	8	8	8	7	7	7
350	9	8	8	8	7	7	7
400	9	8	8	8	7	7	7
450	9	8	8	8	7	7	7
500	9	8	8	8	7	7	7
550	9	8	8	8	7	7	7
600	9	8	8	8	7	7	7
650	9	8	8	8	7	7	7
700	9	8	8	8	7	7	7
750	9	8	8	8	7	7	7
800	9	8	8	8	7	7	7
850	9	8	8	8	7	7	7
900	9	8	8	8	7	7	7
950	9	8	8	8	7	7	7
1000	9	8	8	8	7	7	7

2 L

cm ↻	500	600	700	800	900	1000	1100
250	9	8	8	8	7	7	7
300	9	8	8	8	7	7	7
350	9	8	8	8	7	7	7
400	9	8	8	8	7	7	7
450	9	8	8	8	7	7	7
500	9	8	8	8	7	7	7
550	9	8	8	8	7	7	7
600	9	8	8	8	7	7	7
650	9	8	8	8	7	7	7
700	9	8	8	8	7	7	7
750	9	8	8	8	7	7	7
800	9	8	8	8	7	7	7
850	9	8	8	8	7	7	7
900	9	8	8	8	7	7	7
950	9	8	8	8	7	7	7
1000	9	8	8	8	7	7	7

2 P

cm ↻	250	300	350	400	450	500	550
500	9	8	8	8	7	7	7
600	9	8	8	8	7	7	7
700	9	8	8	8	7	7	7
800	9	8	8	8	7	7	7
900	9	8	8	8	7	7	7
1000	9	8	8	8	7	7	7
1100	9	8	8	8	7	7	7
1200	9	8	8	8	7	7	7
1300	9	8	8	8	7	7	7
1400	9	8	8	8	7	7	7
1500	9	8	8	8	7	7	7
1600	9	8	8	8	7	7	7
1700	9	8	8	8	7	7	7
1800	9	8	8	8	7	7	7
1900	9	8	8	8	7	7	7
2000	9	8	8	8	7	7	7

3 L

cm ↻	750	900	1050	1200	1350	1500	1650
250	9	8	8	8	7	7	7
300	9	8	8	8	7	7	7
350	9	8	8	8	7	7	7
400	9	8	8	8	7	7	7
450	9	8	8	8	7	7	7
500	9	8	8	8	7	7	7
550	9	8	8	8	7	7	7
600	9	8	8	8	7	7	7
650	9	8	8	8	7	7	7
700	9	8	8	8	7	7	7
750	9	8	8	8	7	7	7
800	9	8	8	8	7	7	7
850	9	8	8	8	7	7	7
900	9	8	8	8	7	7	7
950	9	8	8	8	7	7	7
1000	9	8	8	8	7	7	7

3 P

cm ↻	750	900	1050	1200	1350	1500	1650
750	9	8	8	8	7	7	7
900	9	8	8	8	7	7	7
1050	9	8	8	8	7	7	7
1200	9	8	8	8	7	7	7
1350	9	8	8	8	7	7	7
1500	9	8	8	8	7	7	7
1650	9	8	8	8	7	7	7
1800	9	8	8	8	7	7	7
1950	9	8	8	8	7	7	7
2100	9	8	8	8	7	7	7
2250	9	8	8	8	7	7	7
2400	9	8	8	8	7	7	7
2550	9	8	8	8	7	7	7
2700	9	8	8	8	7	7	7
2850	9	8	8	8	7	7	7
3000	9	8	8	8	7	7	7

4

cm ↻	500	600	700	800	900	1000	1100
500	9	8	8	8	7	7	7
600	9	8	8	8	7	7	7
700	9	8	8	8	7	7	7
800	9	8	8	8	7	7	7
900	9	8	8	8	7	7	7
1000	9	8	8	8	7	7	7
1100	9	8	8	8	7	7	7
1200	9	8	8	8	7	7	7
1300	9	8	8	8	7	7	7
1400	9	8	8	8	7	7	7
1500	9	8	8	8	7	7	7
1600	9	8	8	8	7	7	7
1700	9	8	8	8	7	7	7
1800	9	8	8	8	7	7	7
1900	9	8	8	8	7	7	7
2000	9	8	8	8	7	7	7

6 L

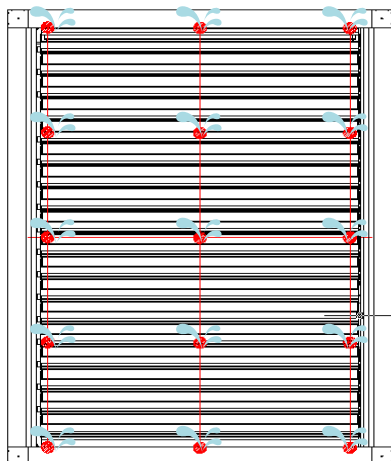
cm ↻	750	900	1050	1200	1350	1500	1650
500	9	8	8	8	7	7	7
600	9	8	8	8	7	7	7
700	9	8	8	8	7	7	7
800	9	8	8	8	7	7	7
900	9	8	8	8	7	7	7
1000	9	8	8	8	7	7	7
1100	9	8	8	8	7	7	7
1200	9	8	8	8	7	7	7
1300	9	8	8	8	7	7	7
1400	9	8	8	8	7	7	7
1500	9	8	8	8	7	7	7
1600	9	8	8	8	7	7	7
1700	9	8	8	8	7	7	7
1800	9	8	8	8	7	7	7
1900	9	8	8	8	7	7	7
2000	9	8	8	8	7	7	7

2 SC

cm ↺	500	600	700
↻ 250	9	8	8
300	9	8	8
350	9	8	8
400	9	8	8
450	9	8	8
500	9	8	8
550	9	8	8
600	9	8	8
650	9	8	8
700	9	8	8

PROOF OF TIGHTNESS TO HEAVY RAIN ON ORIENTABLE LOUVRED PERGOLA (ISOLA 3)

N. B. TEST TO BE CONSIDERED VALID ALSO FOR THE MODEL KEDRY SKYLIFE AND KEDRY PRIME



SAMPLE DIMENSION

4500 X 6050 MM

TEMPERATURE AND HUMIDITY

3,1°C e umidità 69,1% UR

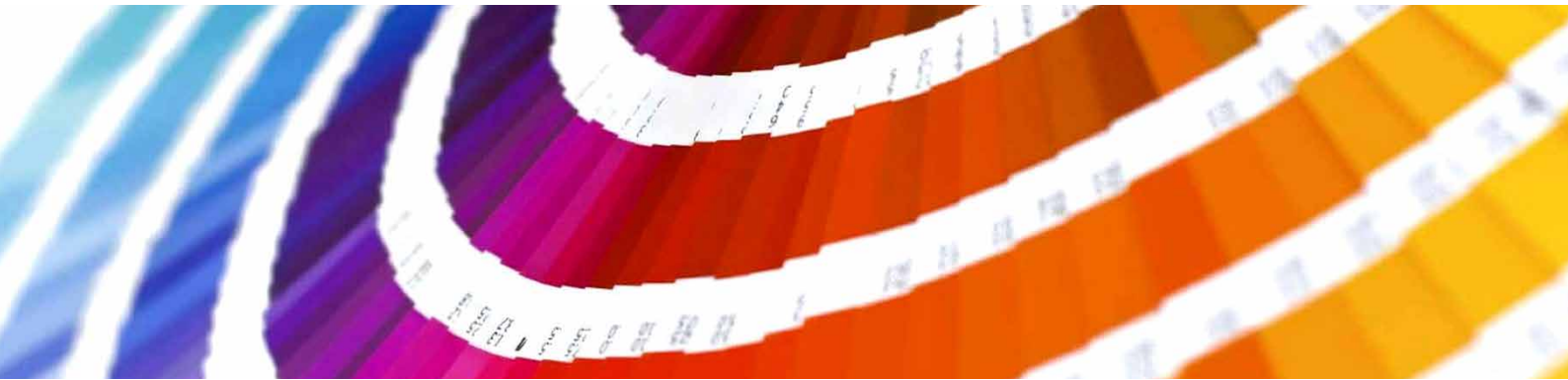
TEST DESCRIPTION

The test consist in dropping a given quantity of water, controlled by a flowmeter, on the upper surface of a pergola at ambientale atmospheric pressure. The sample is with dimensions indicated in the enclosed drawings and installed according to the manufacturer's manual. Above the test structure was installed a grid with nozzles placed in order to wet the complete surface.

TEST RESULT

The water dropped on the surface of the pergola was measured through the input flowmeter and pluviometer placed on the pergola surface. The measurement was carried out in 5 minutes (300 s) of stabilized capacity, collecting on the upper surface of the pergola 24 mm of water equivalent to 356 mm / h of water flow rate without the flow system overflowing and without detecting infiltrations in the inner side of the louvres.

 356 mm/h



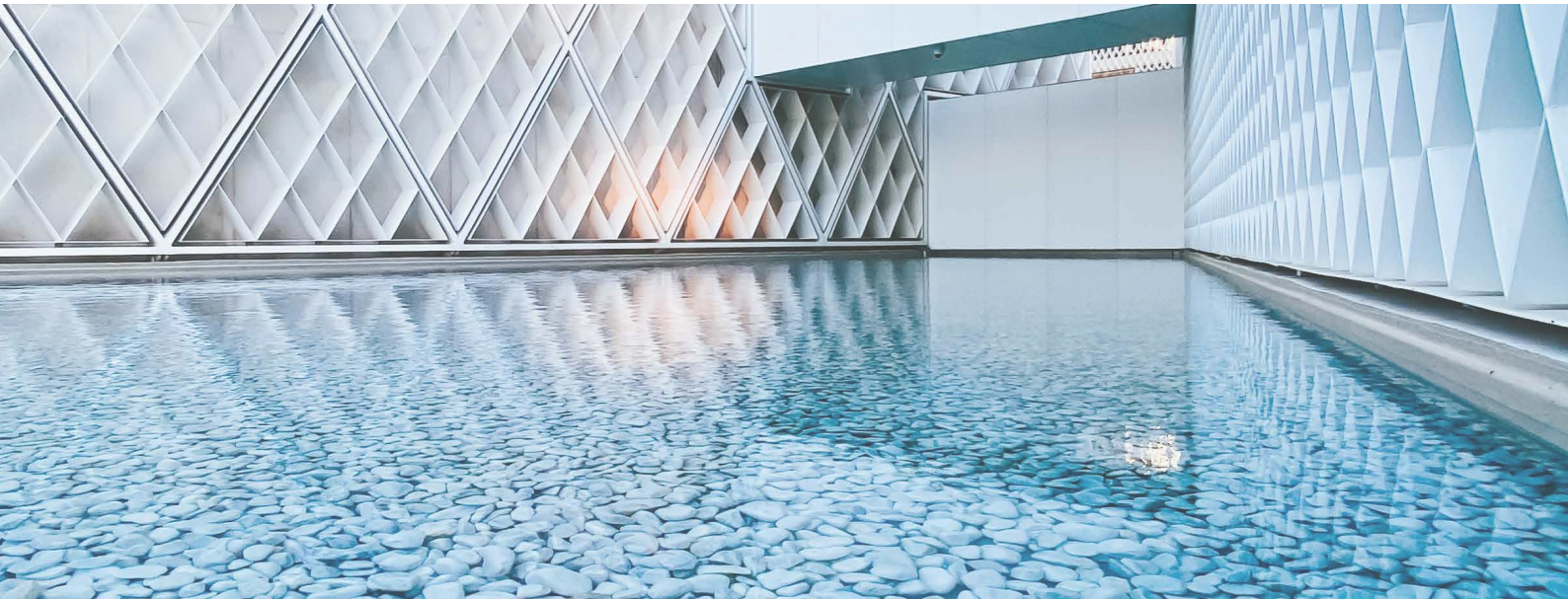
The KE painting process includes high quality standards, with an 8-stage pre-treatment that includes degreasing, deoxidation, and protective treatments before painting. Thanks to this last phase, components and profiles are further guaranteed against particularly severe environmental situations. At the end of the process the profiles and components are painted with polyester resin-based epoxy powders. Treated components are periodically tested in salt spray according to the ISO 9227 standard to confirm conformity and consistency of the process. The European product standard EN 13561: 2015 defines corrosion resistance classes of the metal parts that make up the product according to the table below. Tests performed on the painted components and profiles allow us to classify the product in the maximum class achievable according to EN 13561: 2015, C2 / 4 (48 h - internal components, 240 h - external components).

Equipped with the most modern process control systems including continuous monitoring in which the working parameters are recorded and corrected every 2 minutes, the new painting process guarantees the high quality characteristics of the product while minimizing the risk of environmental pollution. This is a choice born from the desire to always keep up with technology while guaranteeing operator safety and low environmental impact. Thanks to nanotechnologies, the implemented coating constitutes an excellent base for anchoring paints, ensuring excellent adhesion and resisting corrosion. The plant in which aluminum or galvanized steel products with a length of up to 7 meters can be treated, includes 7 treatment tanks, 1 double compartment drying oven, 1 polymerization oven and 1 purification plant for waste water treatment. The real focus of the plant, however, is the two powder coating booths, each with 4 stations for manual retouching. The booths allow greater production continuity, thanks to a drastic reduction in required stops for color changes.

CORROSION RESISTANCE

Classes	1	2	3	4
Internal components	24	48		
External components		48	96	240

COLOURS



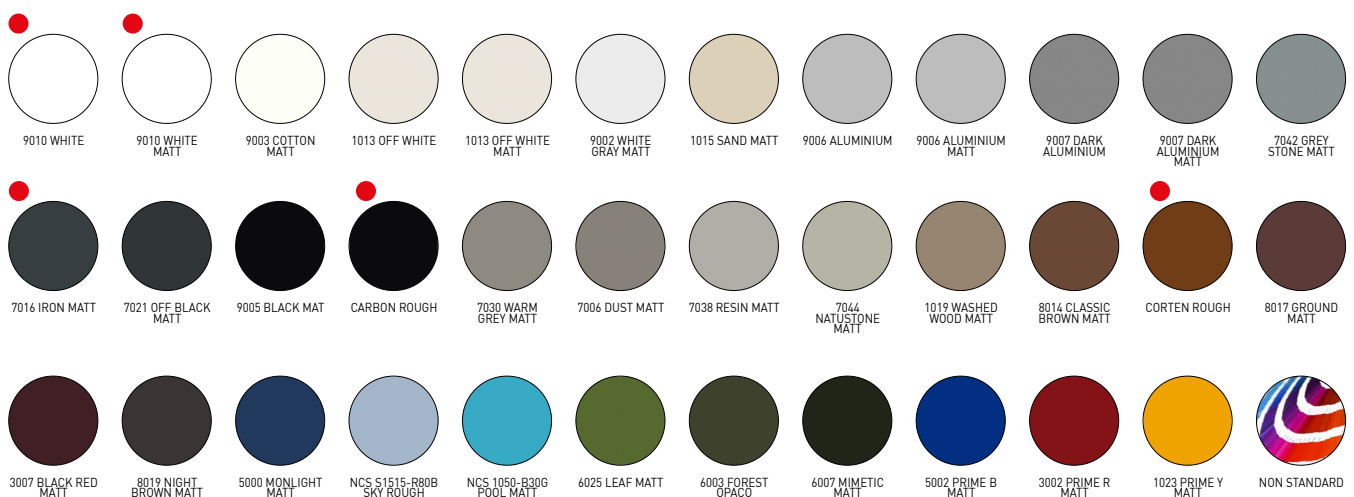
When working with color, we know that our whole world is defined by light. And color is nothing more than a breakdown of light. Objects reflect back to our eyes only the color that defines it. This is why it is so important to recognize the close link between color and matter. For this project, there are three keywords that guide the research: Words, Places, Matters.

WORDS: Naming colors is important to make them familiar and easily recognizable.

PLACES: Places define colors. Recognizing different types of places is a starting point for defining and suggesting color combinations.

MATERIALS: Objects do not exist in isolation, but rather match the environment around them: analyzing the materials that make up the environment itself helps us to make decisions; to decide, for example, if the character of a place is false or if instead it is genuinely artistic.

COLOURS RAL



● Ral standard (without supplement)

COLOURS

COLORE STRUTTURE	COLORE PLASTICHE
RAL 9010 WHITE OPACO	Bianco
RAL 9010 WHITE	Bianco
RAL 1013 OFF WHITE OPACO	Avorio
RAL 1013 OFF WHITE	Avorio
RAL 9006 ALUMINIUM OPACO	Nero/Grigio
RAL 9006 ALUMINIUM	Nero/Grigio
RAL 9007 DARK ALUMINIUM OPACO	Nero
RAL 9007 DARK ALUMINIUM	Nero/Grigio
RAL 8014 CLASSIC BROWN OPACO	Nero
CORTEN RUVIDO	Nero
RAL 7016 IRON OPACO	Nero
CARBON RUVIDO	Nero
RAL 9005 BLACK OPACO	Nero
RAL 9003 COTTON OPACO	Bianco
RAL 9002 WHITE GRAY OPACO	Bianco
RAL 7038 RESIN OPACO	Nero/Grigio
RAL 7044 NATURAL STONE OPACO	Nero/Grigio
RAL 7030 WARM GREY OPACO	Nero/Grigio
RAL 7042 GREY STONE OPACO	Nero/Grigio
RAL 1015 SAND OPACO	Avorio
RAL 1019 WASHED WOOD OPACO	Nero
RAL 7006 DUST OPACO	Nero
RAL 3007 BLACK RED OPACO	Nero
RAL 8017 GROUND OPACO	Nero
RAL 8019 BIGHT BROWN OPACO	Nero
RAL 7021 OFF BLACK OPACO	Nero
RAL 5000 MONLIGHT OPACO	Nero
NCS S1515-R80B SKY RUVIDO	Nero
NCS 1050-B30G POOL OPACO	Nero
RAL 6025 LEAF OPACO	Nero
RAL 6003 WOOD OPACO	Nero
RAL 6007 MIMETIC OPACO	Nero
RAL 5002 PRIME B OPACO	Nero
RAL 3002 PRIME R OPACO	Nero
RAL 1023 PRIME Y OPACO	Avorio

N.B. Nei colori non indicati KE si riserva di eseguire il miglior abbinamento tra il colore della struttura e il colore delle plastiche disponibili.



There is increasing demand for high-performance buildings that have a very low energy consumption and use energy derived from renewable sources. In particular, the limitation of solar heat gain is one of the most important aspects of summer thermal comfort. Solar shading plays an essential role in this concept. The gtot value determines the ability of the solar shield to maintain, in an environment directly exposed to solar radiation, a more comfortable temperature than that which would occur with the presence of glass alone. The solar heat gains are directly proportional to the total transmittance of solar energy gtot, a value that depends on the glazing and external shielding. The European product standard EN 13561: 2015 and the EN 14501 standard identify 5 energy performance classes as shown in the table below.

Effect of GTOT on thermal comfort					
Gtot value	$\geq 0,50$	$\geq 0,35 \text{ e } < 0,50$	$\geq 0,15 \text{ e } < 0,35$	$\geq 0,10 \text{ e } < 0,15$	$< 0,10$
Class	0	1	2	3	4
	very mild effect	Mild effect	Moderate effect	good effect	very good effect

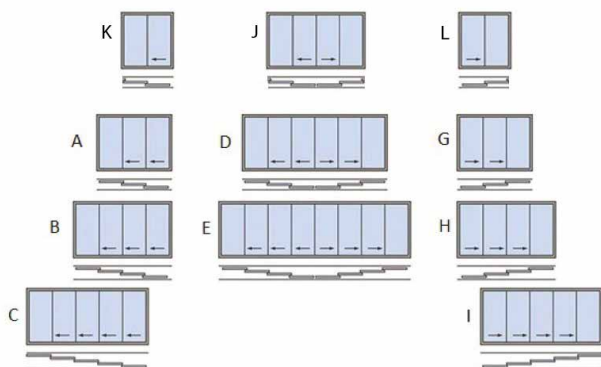
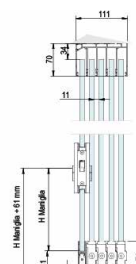
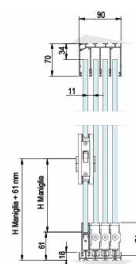
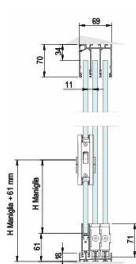
Each KE product has a Gtot value according to the shading fabric / profiles used. For details, refer to the information provided with the technical data sheet of the fabric and the CE label.

OPTIONAL_LINE GLASS



Sliding windows with frameless doors. Lower track only 18 mm high. Easy installation with left or right hand opening. Side or central closure. Packaging with aligned windows. Height adjustment up to 8 mm for each single door. Removable for easy cleaning. Closure with self-locking and / or lock. Waterproofing is not guaranteed during heavy rain or rain with wind.

Technical Details



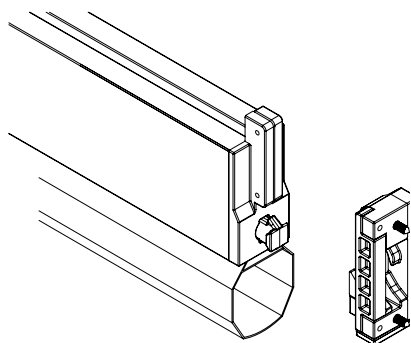


Vertika is a vertical closure that provides protection from sun and rain.
It can be equipped with WIND BLOCK, a locking tensioning system for the fabric.
With Vertika you can use blackout and filtering fabrics to better manage solar radiation.

- AVAILABLE:
PRIME GPZ I
110 GPR
110 GPZ
110 GPZ H2F
130 GPR
130 GPZ

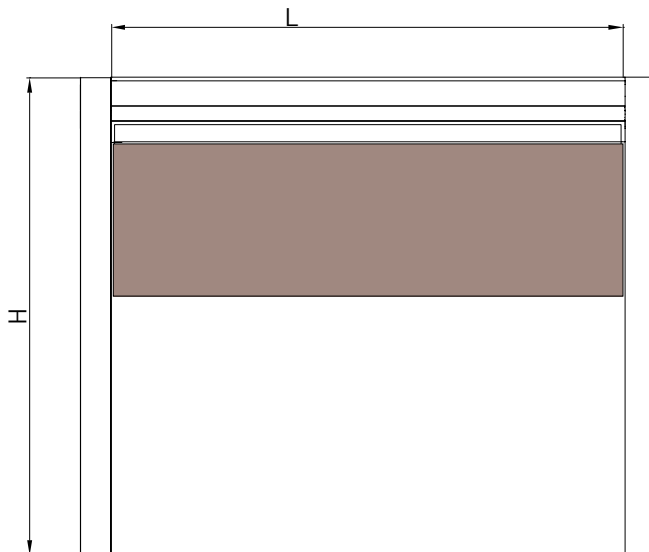
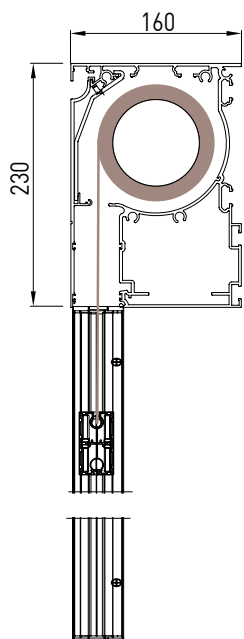


Technical Details

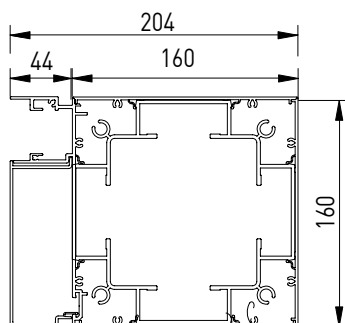
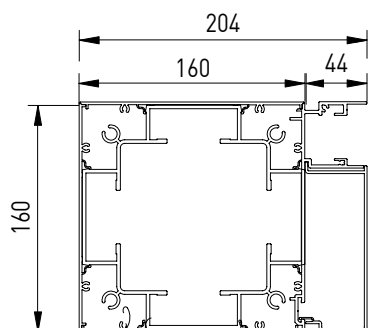


WIND BLOCK: Front bar Interlock device to be used on 100 and 130 Screeny GPZ guide, GPZ I and Gpz Unica. In wind, front bar stays locked in the low position and fabric is steadily tightened when the awning is opened completely.

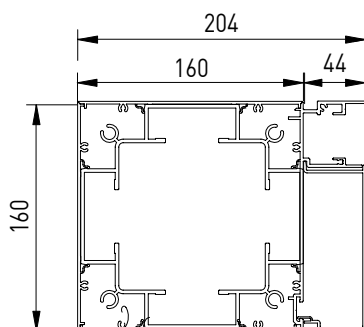
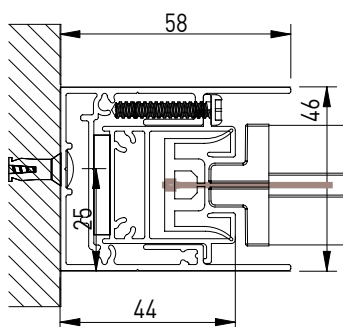
VERTIKA_PRIME GPZ I

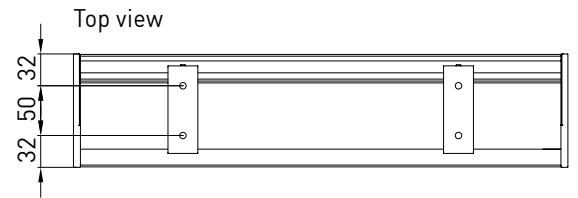
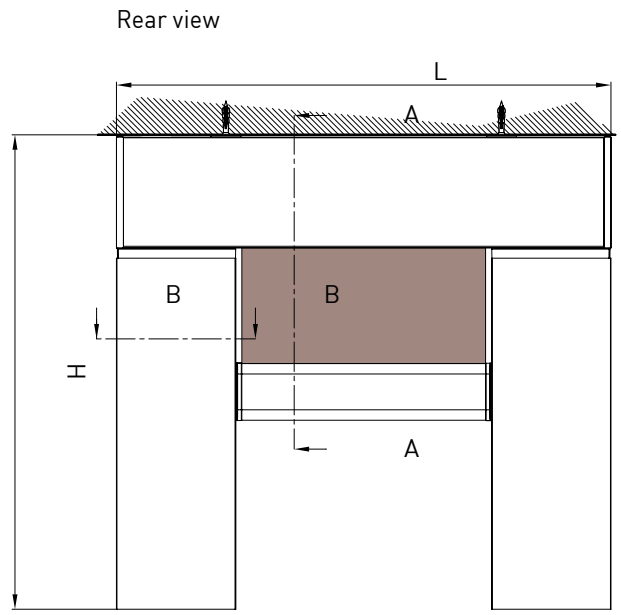
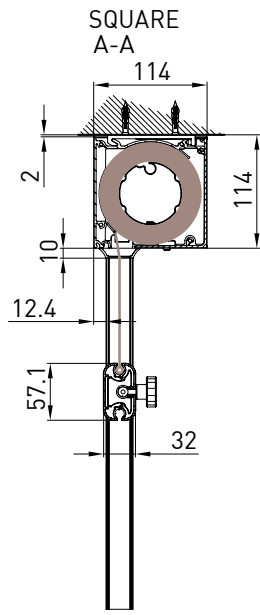
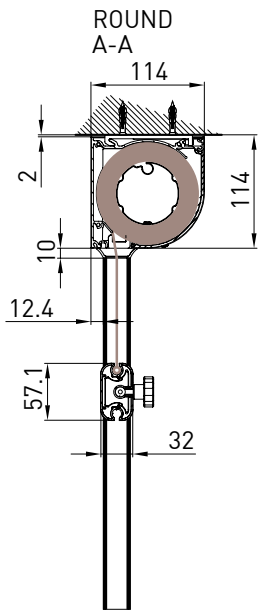


Guide on pillar

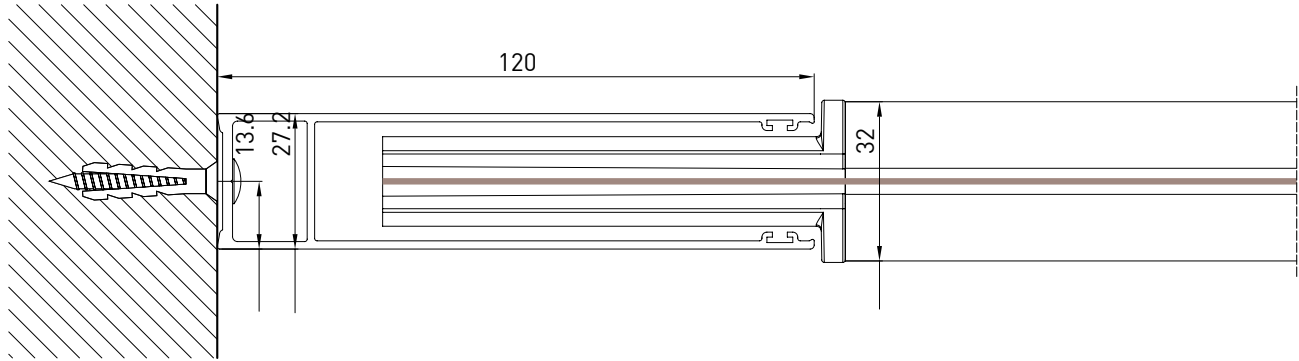


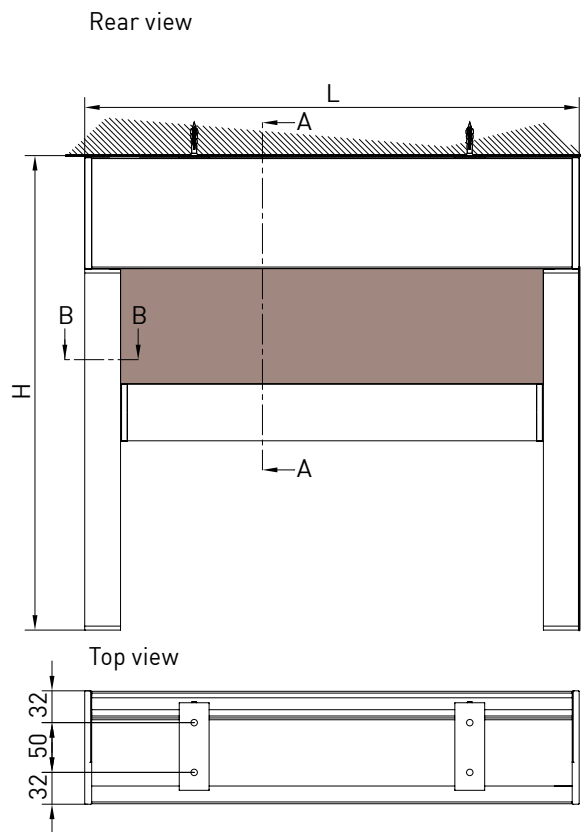
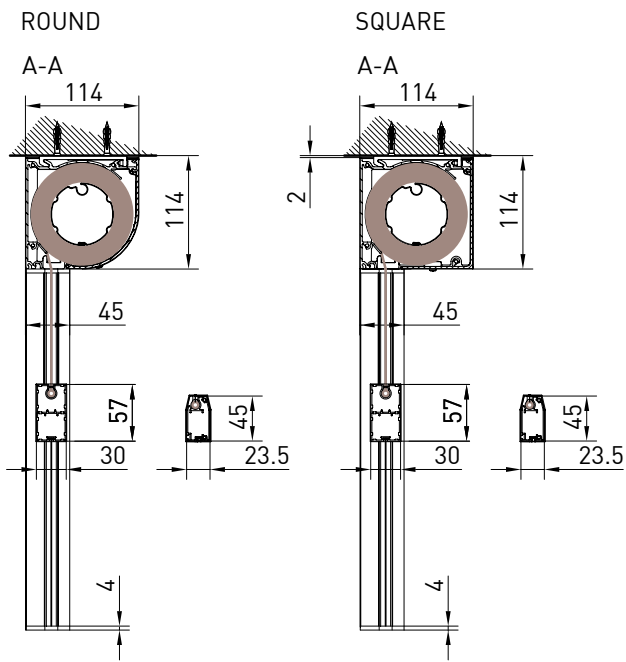
Guide on pillar/wall



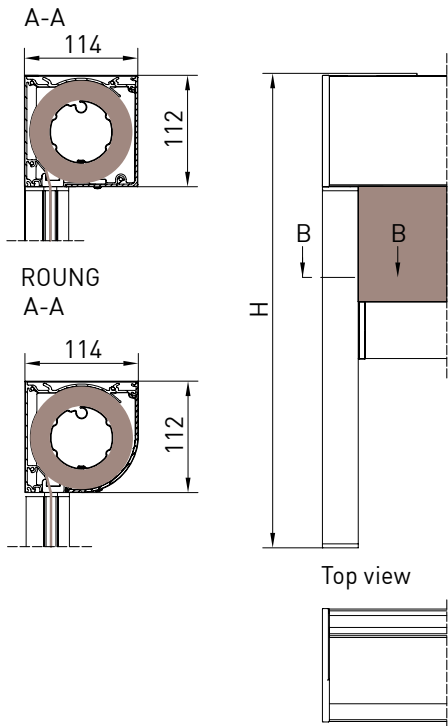


Niche guide
B-B



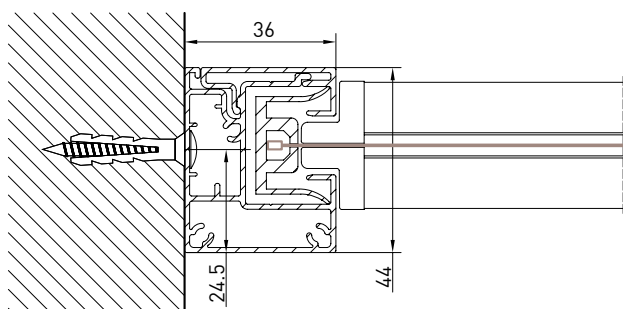


FREESTANDING - SQUARE



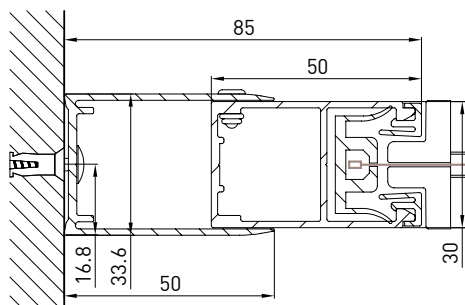
VERTIKA_110 GPZ

Niche guide
B-B

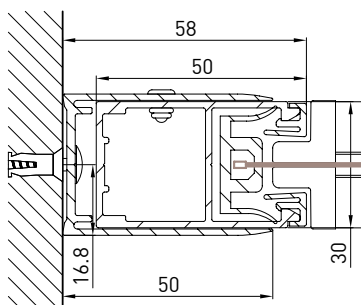


GPZ C

Niche guide
B-B

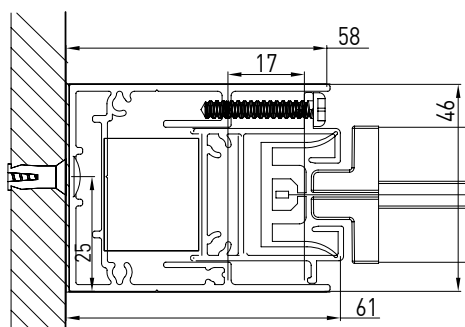


Niche guide
B-B

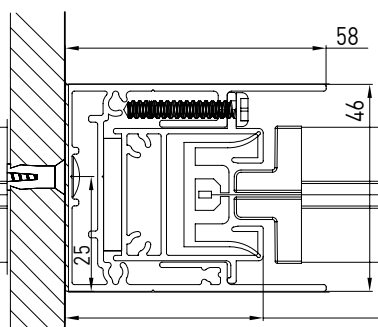


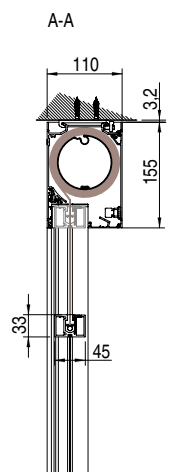
GPZ I

Niche guide
B-B

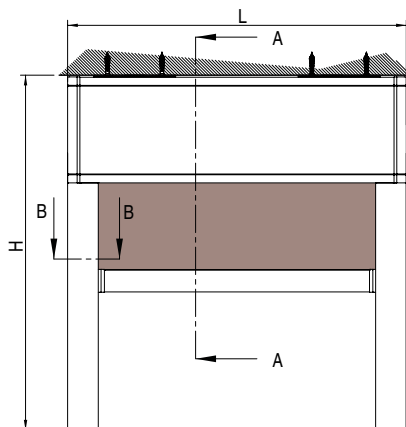


Niche guide
B-B

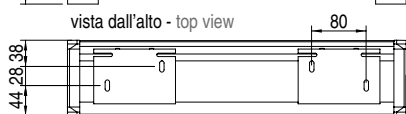




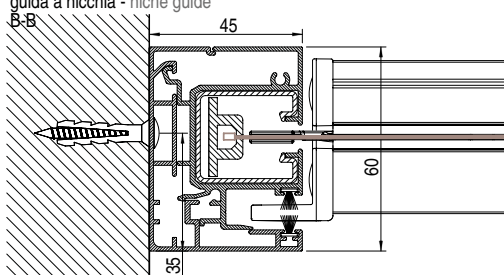
vista posteriore - rear view



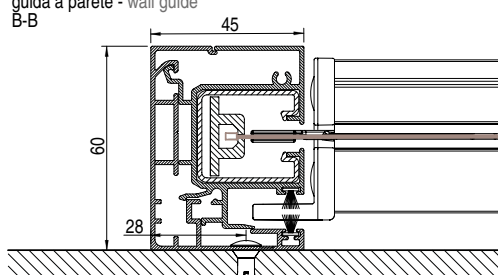
vista dall'alto - top view



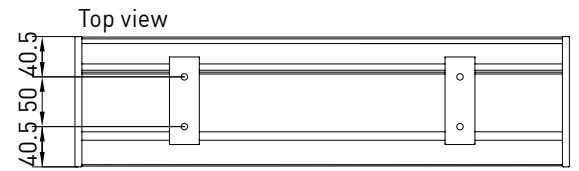
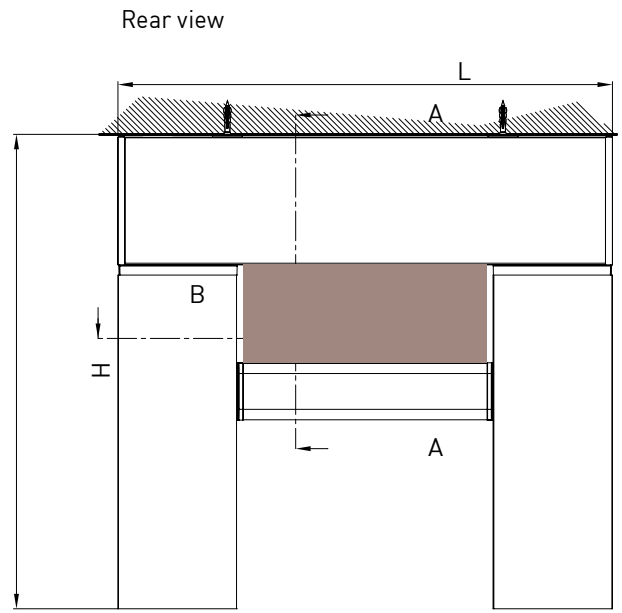
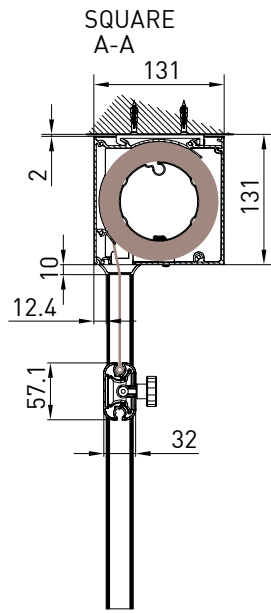
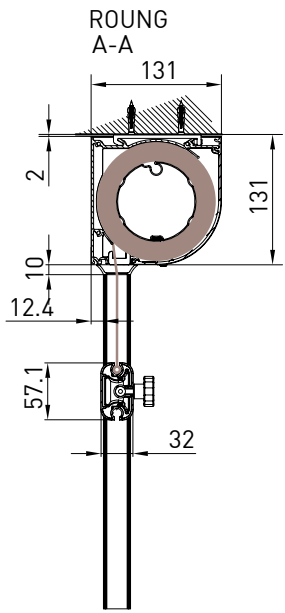
guida a nicchia - niche guide



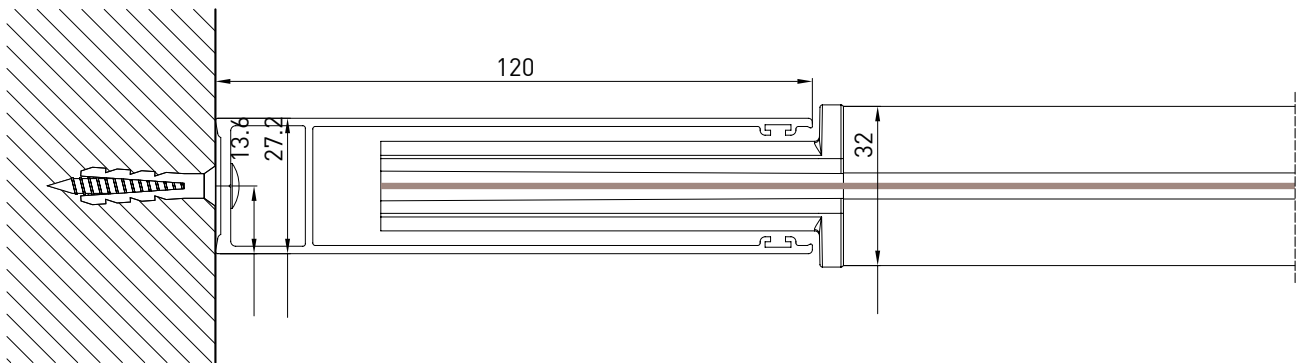
guida a parete - wall guide



VERTIKA_130 GPR



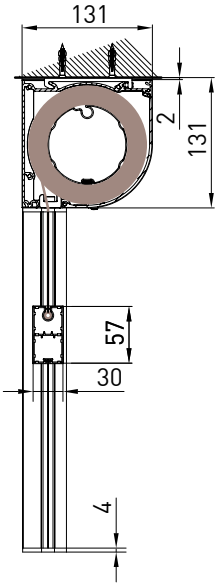
Niche guide
B-B



VERTIKA_130 GPZ

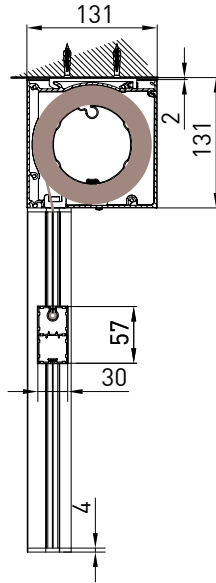
ROUNG

A-A

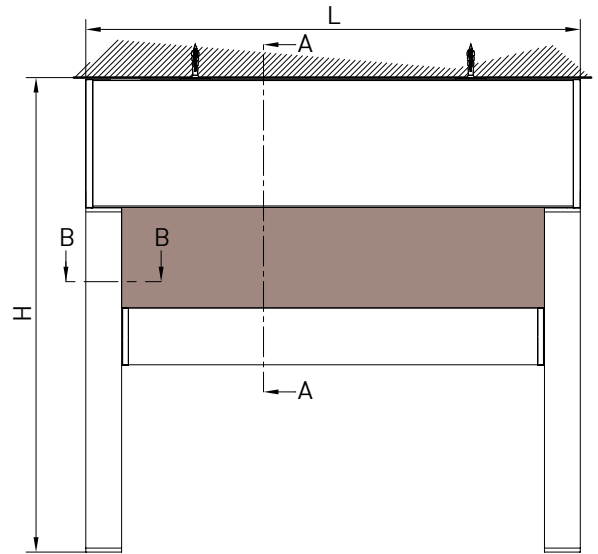


SQUARE

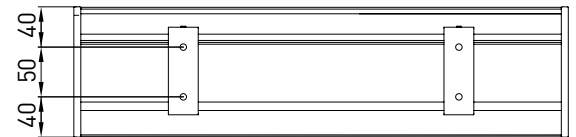
A-A



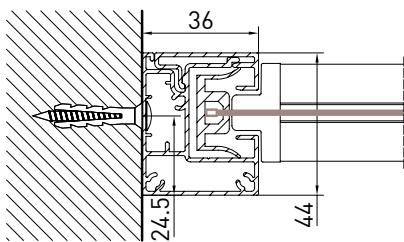
Rear view



Top view

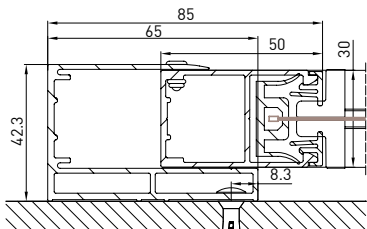


Niche guide
B-B

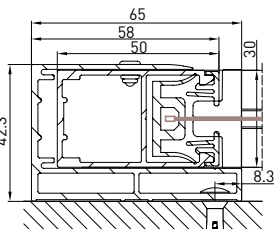


GPZ C

Wall guide (GCP)
B-B

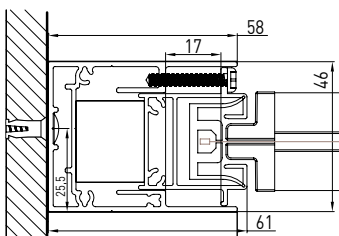


Wall guide (GCP)
B-B

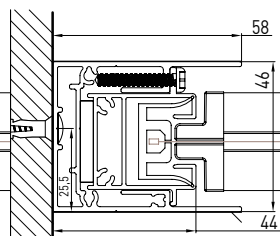


VERSIONE GPZ I

Niche guide
B-B



Niche guide
B-B

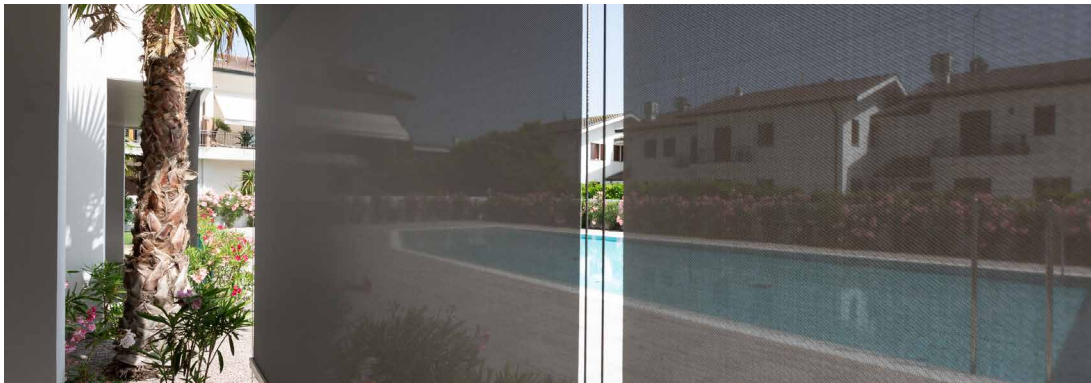




The doors have been designed to provide protection from water and wind. They are made from extruded aluminum alloy profiles (EN-AW 6060-T6) and 4 + 4 pvd 0.76 safety and shatterproof laminated glass in accordance with UNI 7697 2014. Doors are available in either one or two door versions.

The interior of the structure can be enhanced with decorative curtains. That extra romantic touch which will surely be appreciated by anyone looking for a little privacy or who want "a room all to themselves".

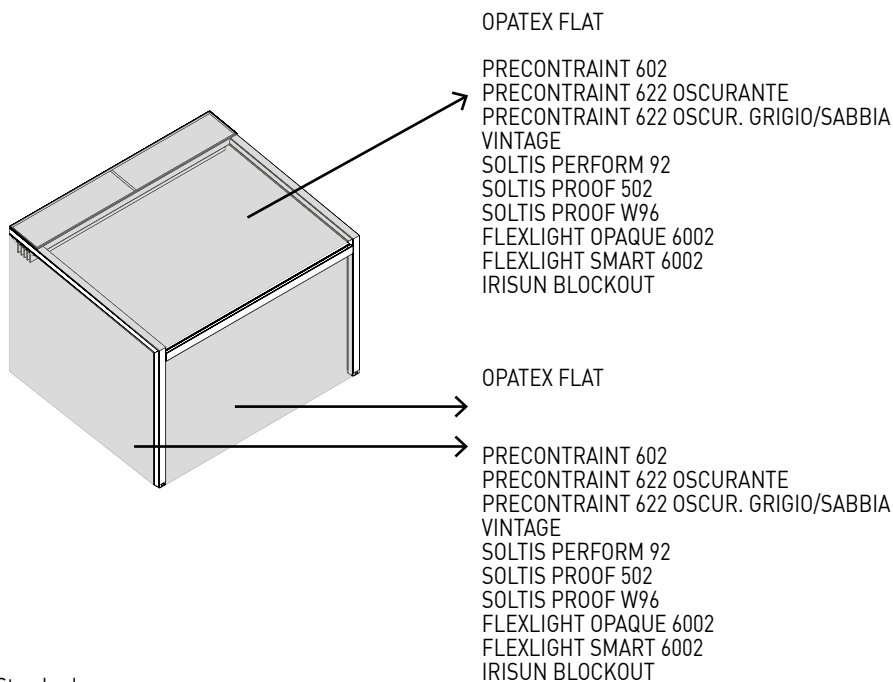
FABRICS



KE

Thermal comfort blends perfectly with beautiful style thanks to the more than 500 high performance fabrics available. A wide variety of colors, styles and solar shading factors allow for a system that meets your specific needs. All fabrics are CE Certified according to the EN 13561 and EN 14501 technical standards.

N.B.
See the Fabric Guide for further fabric specifications.



Standard

- OPATEX FLAT

Optional

- PRECONTRAI NT 602
PRECONTRAI NT 622 OSCURANTE
PRECONTRAI NT 622 OSCUR. GRIGIO/SABBIA
VINTAGE
SOLTIS PERFORM 92
SOLTIS PROOF 502
SOLTIS PROOF W96
FLEXLIGHT OPAQUE 6002
FLEXLIGHT SMART 6002
IRISUN BLOCKOUT

DICHIARAZIONE DI PRESTAZIONE
008-028/2018



Codice identificazione prodotto: GENNIUS ISOLA 3

Uso previsto del prodotto da costruzione, conformemente a UNI EN 13561:2015 - EN 1932:2013:
Tende per uso esterno

Nome e indirizzo del fabbricante:
KE PROTEZIONI SOLARI S.r.l.
Via Calnova, 160/a
30020 NOVENTA DI PIAVE (VE) - ITALY

Sistema di valutazione e verifica della costanza della prestazione del prodotto da costruzione:
Sistema 4

Specifica armonizzata:
UNI EN 13561:2015 - UNI EN 1932:2013

Prestazione dichiarata:

		Classe di resistenza ai carichi da vento						
		Larghezza modulo (cm)						
		250	300	350	400	450	500	550
Sporgenza modulo (cm)	250	6	5	5	5	4	4	4
	300	6	5	5	5	4	4	4
	350	6	5	5	5	4	4	4
	400	6	5	5	5	4	4	4
	450	6	5	5	5	4	4	4
	500	6	5	5	5	4	4	4
	550	6	5	5	5	4	4	4
	600	6	5	5	5	4	4	4
	650	6	5	5	5	4	4	4
700	6	5	5	5	4	4	4	

Velocità massima del vento al di sopra della quale la tenda deve essere ritratta:

Classi di resistenza al vento	0	1	2	3	4	5	6
Velocità del vento (km/h)	<25	25	35	45	55	65	80

Trasmittanza totale di energia solare g_{tot} : valore come riportato in etichetta CE.

La prestazione dei prodotti sopra indicati sono conformi all'insieme delle prestazioni dichiarate.
Si rilascia la presente dichiarazione di prestazione sotto la responsabilità esclusiva del fabbricante sopra indentificato.

Noventa di Piave, 05 Marzo 2018

Simone Mazzon
Amministratore delegato



Lighting plays a very important role in allowing our pergolas to be used at any time of day. KE uses LED lights, perfectly integrated into the profiles of the structures. LED technology allows for low energy consumption, multiple applications and changes to light color and intensity using a simple remote control.

N.B.
See the Fabric Guide for further fabric specifications.



DATI_TECNICI:

STRIP LED	
Watt	10W
volt	24V
flow	830lm
Color temperature	3400 K
LED/m	98 led/m



EN ISO 9001 _ Quality

KE has adopted a Quality Management System compliant with EN ISO 9001 requirements in order to maintain and increase quality and meet the highest customer expectations. This continuous improvement, through the control of all processes and careful evaluation of risks and opportunities, engages the entire organization in the development of systems to ensure the safety and reliability of the product and in the search for innovative solutions and technologies.

OHSAS 18001 _ Safety

KE has activated a Safety Management System as an integral part of its work organization, committing itself to organizing the entire structure in order to pursue the objectives of continuous improvement in terms of safety and health protection. Training, knowledge and compliance with current legislation on health and safety at work, cooperation and collaboration and preventive activities are actively pursued in order to minimize the possibility of non-compliance.

EN ISO 14001 _ Environment

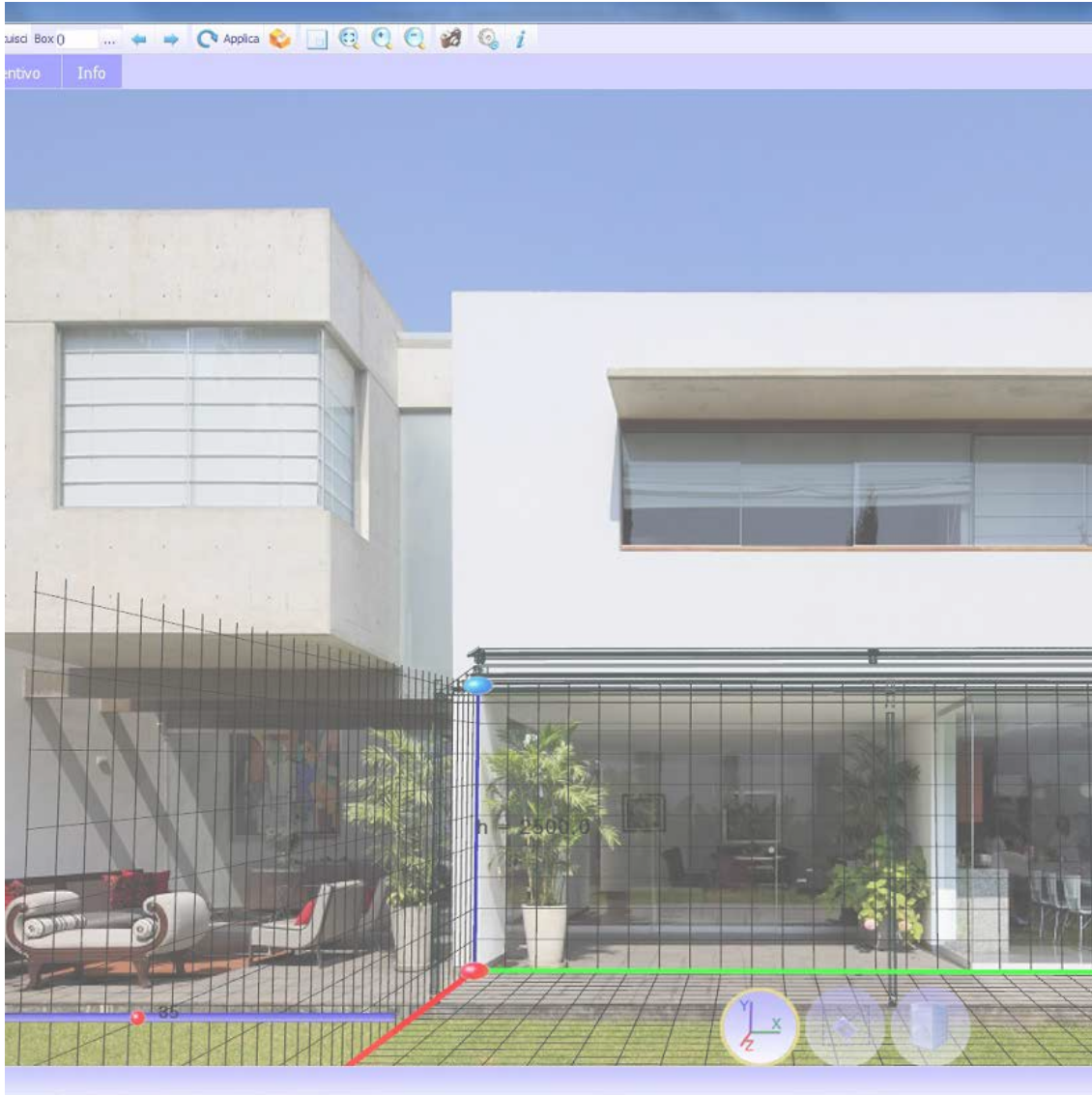
KE is ISO 14001 certified for environmental management and strives to be an example of respect for environmental resources and for the continuous improvement of its environmental management system. It is committed to continuous improvement and pollution prevention in compliance with applicable laws, regulations and standards; systematically detects any environmental impact of manufacturing processes, promotes the culture of recovery and recycling in the company and in the related production chain.

CE MARK _ EN 13561

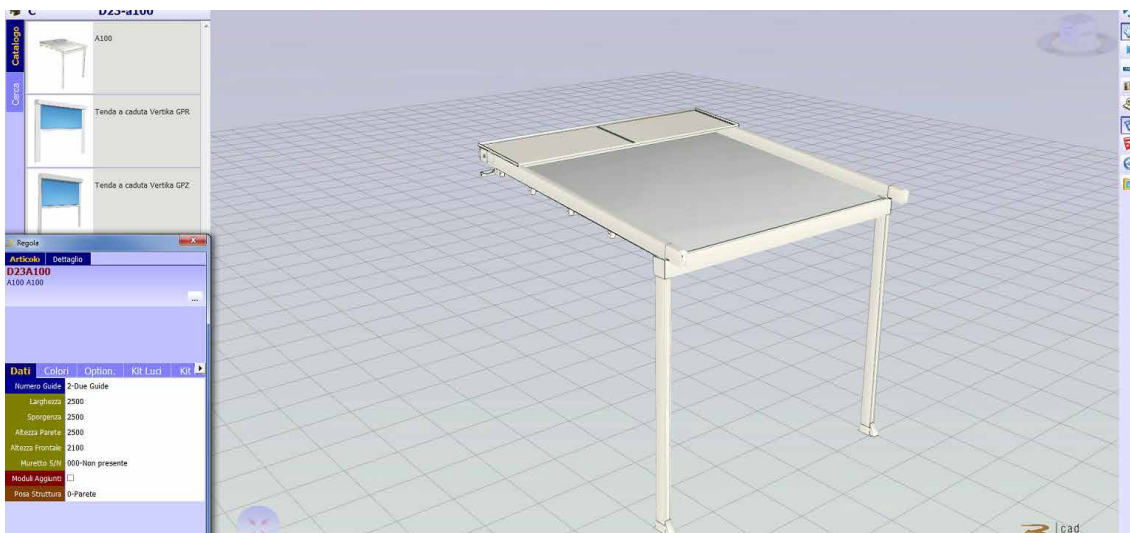
The CE marking of outdoor awnings is a signal to the Consumer that the product can be sold freely in the EU single market, as it complies with Community provisions which recognize safety as the priority of every product that has this agreed upon reference standard. Verification of wind resistance capacity and the clear indication of the ability of the awning to contribute to the energy savings of the building (Gtot), are some of the commitments that the manufacturer makes to a product that has earned the CE marking. The name of the manufacturer, the reference standard (in our case EN 13561) accompany a product that is properly adapted to European indications.

CE MARK _ EN 1090-1

KE extended the CE marking in 2015 to stationary awnings, which are among the aluminum structural components covered by the international standard EN 1090-1. This marking reflects our use of rigorous structural design and manufacturing with qualified processes, adequate industrial resources and qualified personnel.



The KE B2B order system is a simple and intuitive service for placing orders conveniently online. An attractive graphic design, numerous functionalities and an easy and intuitive use mode that allows to access in real time to all the information related to the history of the orders and to the processing of the current ones. With the Cad Lite 3D Configurator you can configure Gennius and Bioclimatica models thanks to a constantly updated online catalogue. Thanks to an easy-to-use interface, it also allows you to formulate a complete quote with minimal error.





Home > Ambienti

Ambienti

La nostra missione è creare nuovi spazi outdoor da vivere in totale armonia. Grazie alle nostre **coperture solari e alle strutture per esterni personalizzate, potrai arredare con stile il tuo terrazzo, giardino, attico, ma anche modulare...** [Leggi di più](#)



Giardino



Terrazza



Finestre e vetrate



Attico



Giardino d'inverno - Veranda



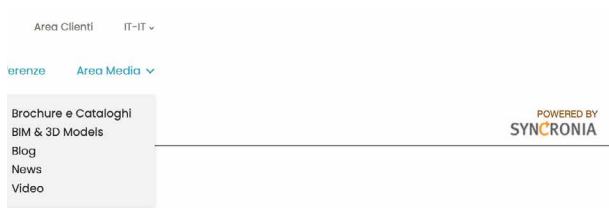
Piscina

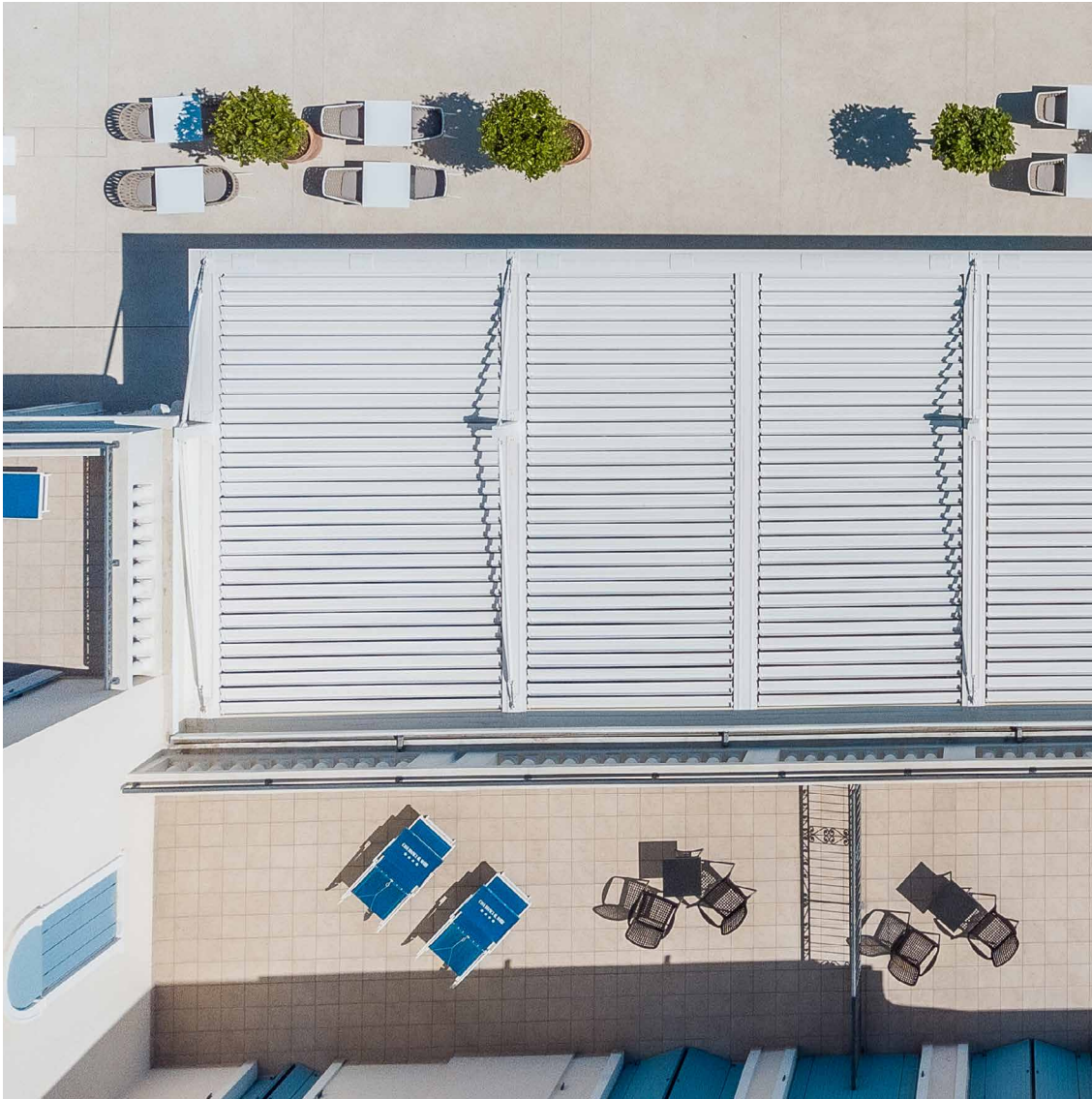


Design e personalizzazione

Le tende da sole KE sono progettate pensando al miglior dialogo possibile tra forme architettoniche, gusto personale ed esigenze funzionali.

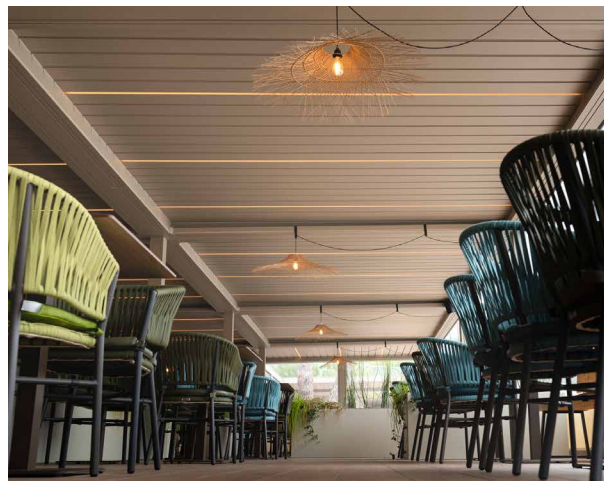
BIM technology improves the working method of designers and is now the main source of information for the realisation of a project. With BIM the model is generated in a "parametric 3D" from which a series of information such as 2D views, elevations, sections but also metric calculations and much more can be automatically derived. On the KE website you can find the BIM gallery of the main KE models, the certifications and all the useful technical documentation for each product: www.keoutdoordesign.com





**A GROUP,
A VISION,
A GROUP IN EVOLUTION**

Since 1987, KE has been designing and manufacturing arm awnings, cassette awnings, drop awnings, canopies, shelters and is specialised in shading structures that enhance the liveability of outdoor spaces, up to the redesign and restyling of urban furniture. Both for the variety of the range and the depth of the configurations, KE is a manufacturing reality able to satisfy the most demanding requests the most demanding requirements of designers, architects, window and door manufacturers, upholsterers and outdoor professionals.



Improving the experience

With KE's professionalism and experience you can rely on quality products designed to enhance your customers' outdoor experience. With KE it will be easier to live the outdoor space in perfect harmony with the surrounding environment, widening the viewpoints and ensuring maximum comfort in all seasons.