





AMERICA "A" A08 - "B" A09

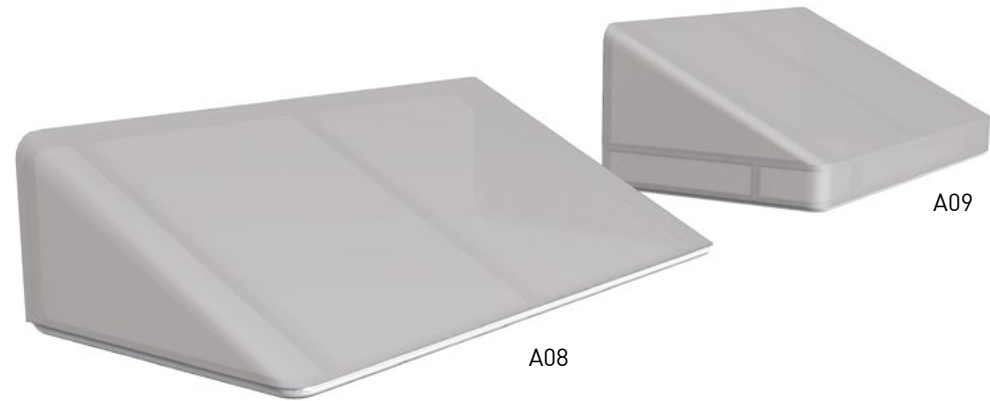
			
 400	 130	2	



RAL STANDARD

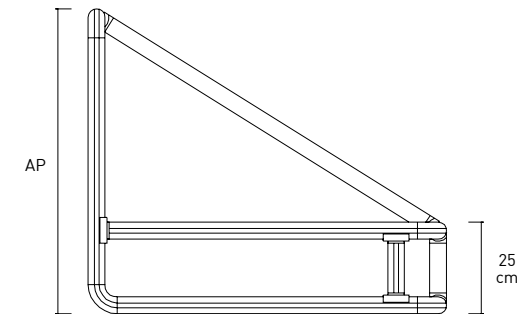
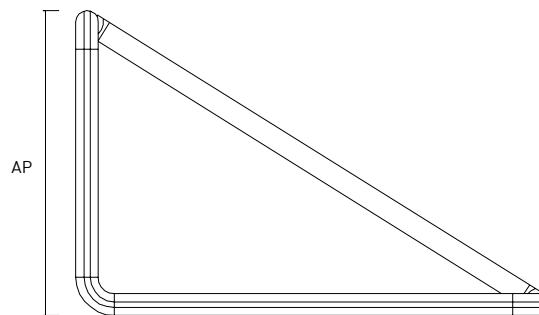


9010 WHITE



MISURE CONSIGLIATE - RECOMMENDED MEASURES
 MESURES CONSEILLEES - EMPFOHLENE AUSMASSE

	CM	Altezza parete / Wall height / Hauteur a mur / Wandhöhe				
		40	50	60	70	80
Sporgenza / Projection / Avancée / Ausfall	80	●	●	●		
	90	●	●	●		
	100		●	●	●	
	110		●	●	●	
	120			●	●	●
	130			●	●	●



Per aumenti TESSUTO e RAL vedi pagine 100/111 - For fabric and RAL increases see at pages 100/111
 Augmentation TISSU et RAL voir pages 100/111 - Für Aufpreiste für RAL und Stoffe S. seiten 100/111