



# BAHAMA SHUTTERS

# STARBUCKS



Feasterville, Pennsylvania

KE Bahama Shutters are custom manufactured from strong, lightweight aluminum to your exact specifications. Each awning gets powder coated using KE's quality-certified process to provide a durable, weather resistant product that provides many years of maintenance-free service.

Protect your home or office from sun glare, driving rain and snow while also allowing excess summer heat to escape, helping to keep the inside temperature comfortable.

Choose from a KE standard color or any custom color of your choice to match your personal style, your décor, or your brand colors.



King of Prussia, Pennsylvania



Middlebury, Vermont



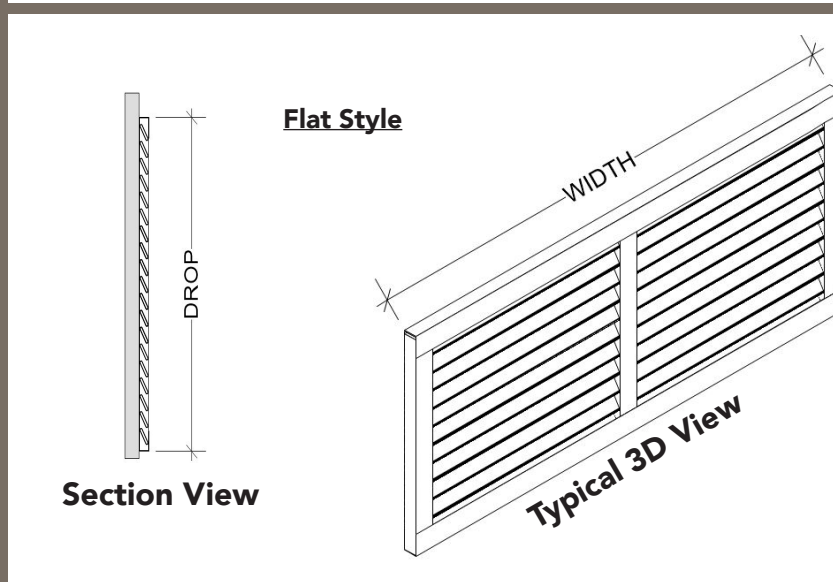
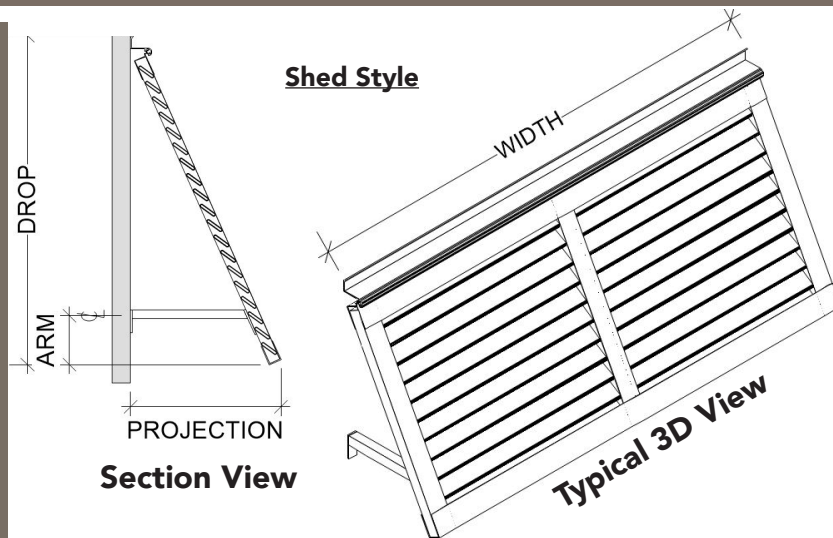
Lancaster, Pennsylvania

# BAHAMA SHADE AWNINGS

## Recommended Considerations

### BASIC MEASUREMENTS

- Width
- Drop
- Projection
- Arm Location
- Windows or doorway
- Height of frame above walkway
- Cutouts or bump-outs



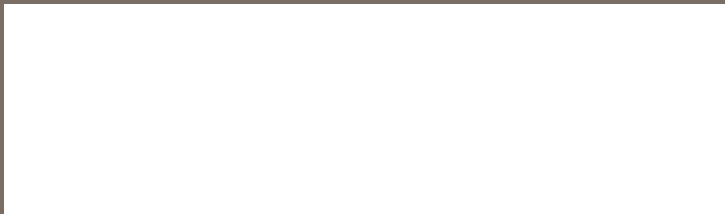
### Standard Powder Coat Colors

- |  |             |  |          |
|--|-------------|--|----------|
|  | Gloss Black |  | White AL |
|  | Matte Black |  | Bronze   |
|  | White       |  | Charcoal |

All products will be powder coated. Colors outside of our standard will be subject to an up-charge. Standard colors are Matte Black, Gloss Black, White, Bronze, Charcoal and White Aluminum. See our specification sheet for additional color options.

<b>350</b> years accumulated engineering expertise	<b>144,000</b> <b>1,146,000</b> sq ft US Manufacturing space and total sq ft Globally serving US demand	Industry-leading vertical integration from foundry to production and installation solutions	<b>500</b> US dealers
<b>44</b> years defining commercial shading solutions	<b>14,055</b> of finished products installed per year 2019	<b>KE</b> ENJOY THE OUTDOORS	<b>3</b> manufacturing facilities in the United States <b>9</b> locations globally
Worldwide Certifications AAMA TUV CE - ISO 14001 CE EN 13561 - EN 1090	<b>\$2.25 million</b> invested annually in process improvement and innovation	<b>1,700</b> lbs of Powdered Paint Applied Daily <b>17.0</b> tons aluminum profiles processed daily	<b>2,336</b> hrs professional development annually
<b>710</b> Large Commercial Projects Installed Annually	<b>76</b> Sales in countries	<b>27,867</b> Residential Products Installed Annually	<b>36</b> Registered Patents <b>3.5</b> tons die cast aluminum parts produced daily <b>7.3</b> tons cast iron components produced daily

KE AFFILIATE:



# KE

ENJOY THE OUTDOORS

keoutdoordesign.us