



HANGER ROD



East Greenbush, New York

Hanger rod canopies are an excellent choice for restaurants, outdoor shopping malls, schools and office buildings. With the capacity to hold snow load without the need for vertical posts, these awnings are not only strong and versatile, but also completely unobtrusive and trouble-free.

Constructed from aluminum, hanger rod canopies do not rust and provide many years of maintenance-free service. Easy to install, these canopies are also completely customizable to suit your taste and your business' brand. Add your company's name or logo and phone number to create a powerful marketing tool that identifies your business and draws customers to your location.

Hanger rod awnings not only work well over doors, but also provide protection from sun and rain at loading docks, over drive-thru areas, and anywhere you want to help keep windows clean from rain and snow. Use hanger rod awnings to increase visibility to identify customer service areas, employee entrances and exit ramps.

Trust KE to meet all your commercial shading requirements.

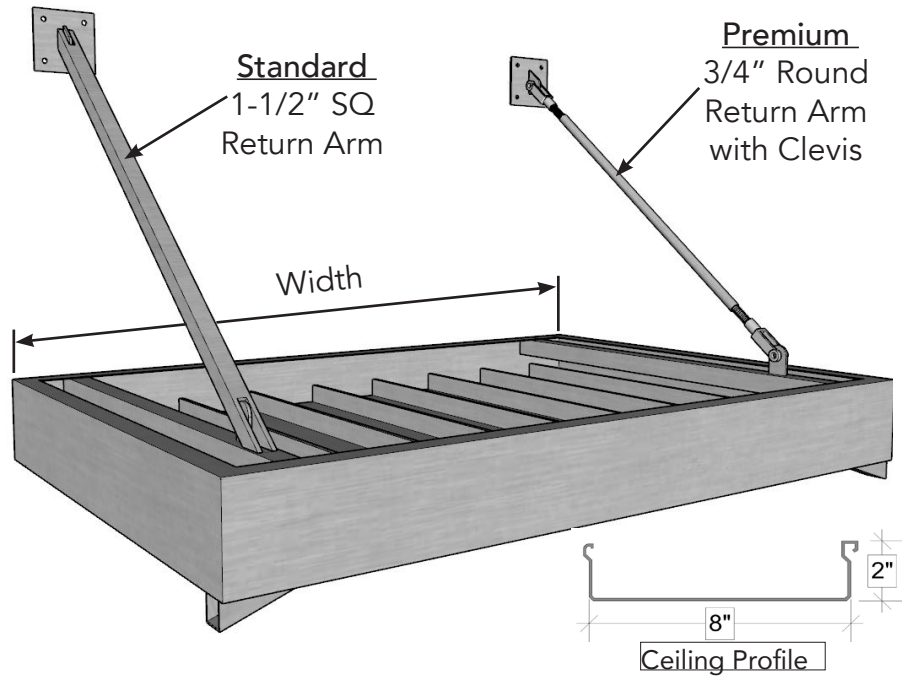
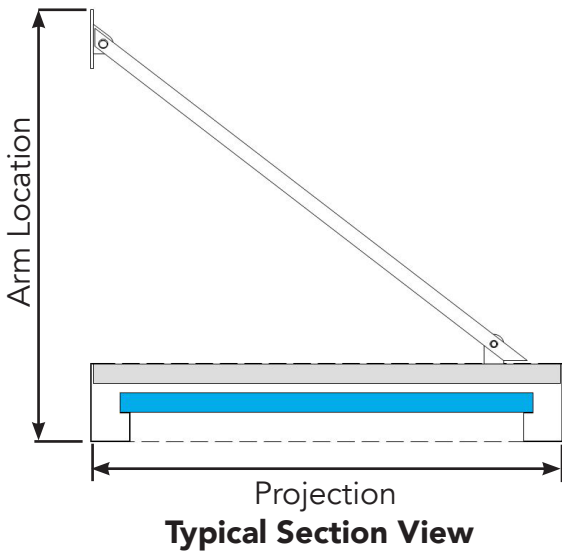


Somerset, New Jersey



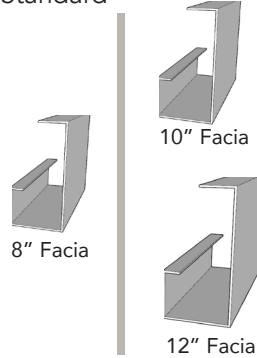
Boston, Massachusetts

Types of Hanger Rod Canopy

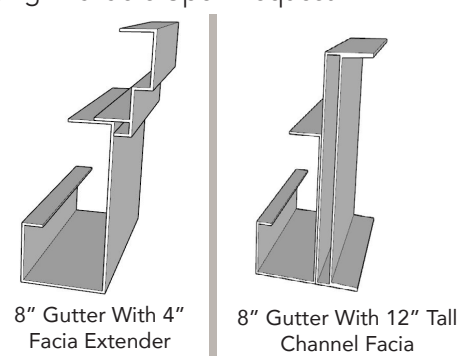


PRODUCT OVERVIEW			
Width Range	Up To 14'-0"	Mounting Options	Engineered hardware included for standard wall connections. See fastener detail specification page. For attachments outside standard applications, pricing available on a per case basis.
Lighting	LED lighting available on a per case basis		
Drainage	Scuppers Or Down spouts		
Frame	Welded Stationary Canopy		
Frame Color Options	All products will be powder coated. Colors outside of our standard will be subject to an up-charge. Standard colors are Matte Black, Gloss Black, White, Bronze, Charcoal and White Aluminum. See our specification sheet for additional color options.		

Standard



Pricing Available Upon Request

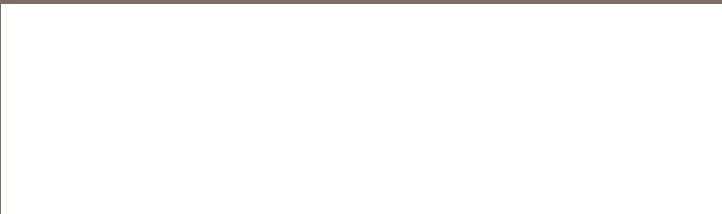


Standard Powder Coat Colors			
	Gloss Black		White AL
	Matte Black		Bronze
	White		Charcoal

BASIC MEASUREMENTS

- Width
- Arm Mounting Location
- Projection
- Windows or doorway
- Height of frame above walkway
- Scuppers or down spouts
- Light fixtures
- Structural columns
- Uneven mounting surfaces
- Recessed areas

KE AFFILIATE:



ENJOY THE OUTDOORS

keoutdoordesign.us