



ACADEMY

2020 PRODUCT DEBUT

Speaker: Loris Borin and Stefano Biasi

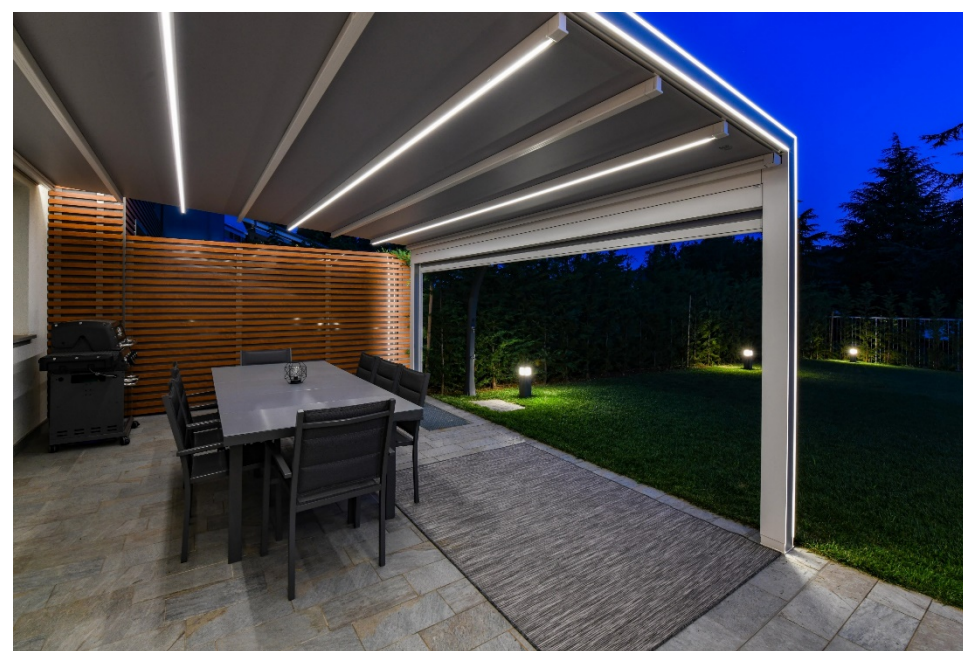




GENNIUS VEGA



GENNIUS VEGA



GENNIUS VEGA

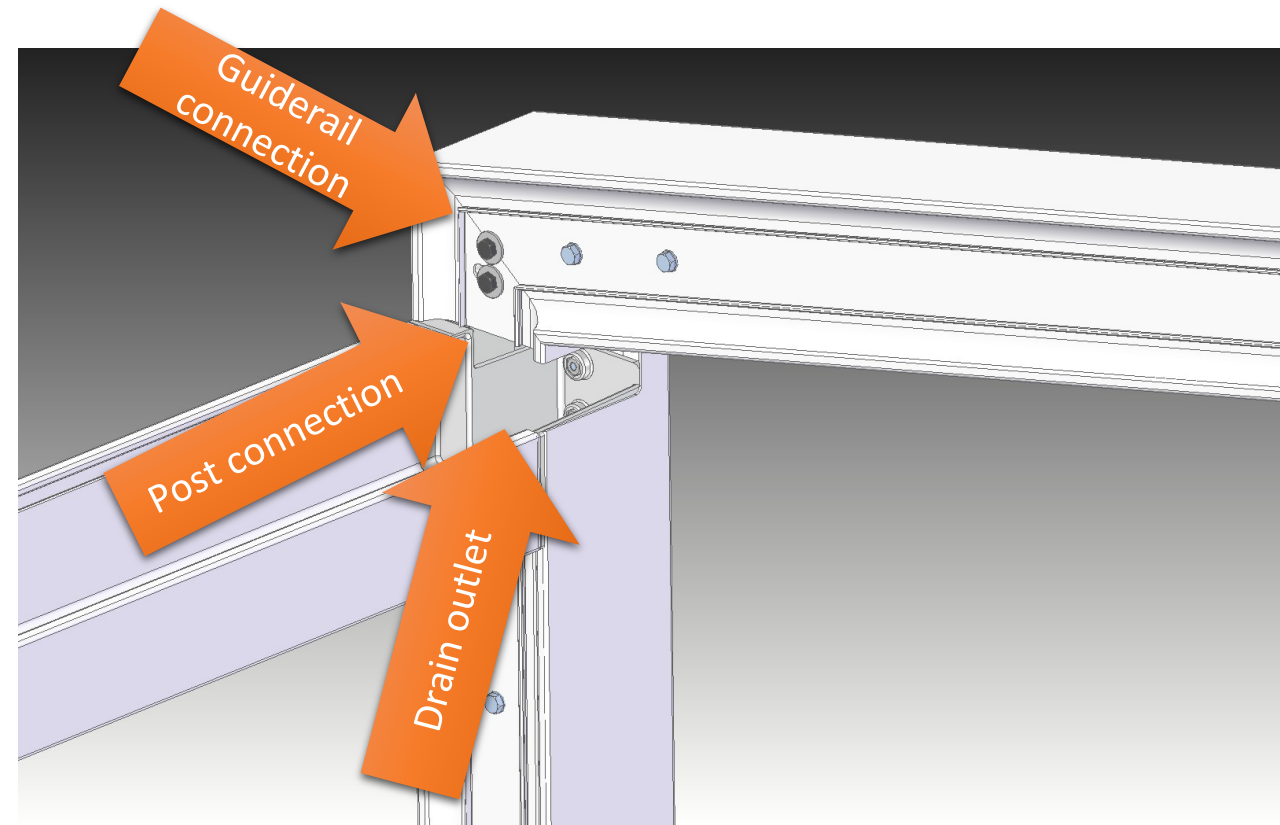
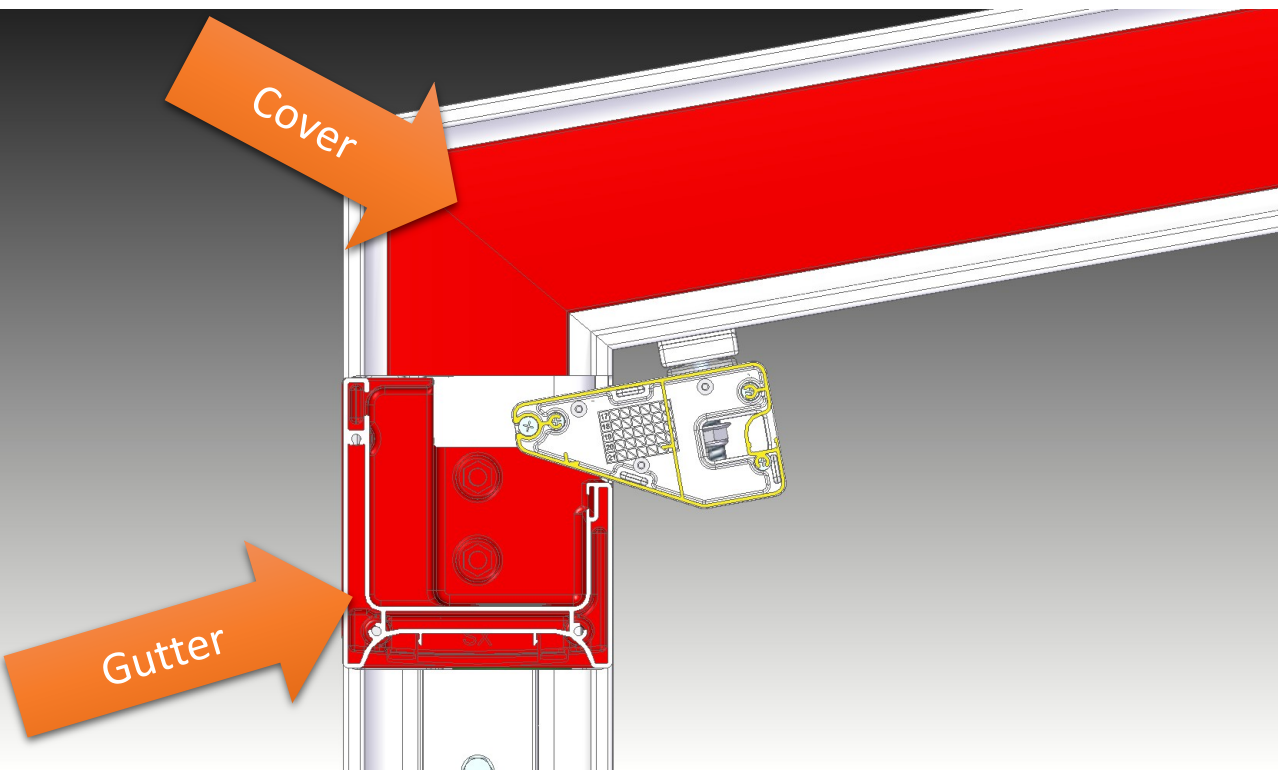


ONE BAY 16'5" W X 23' P
TWO BAYS 29'6" W X 23' P
THREE BAYS 42'8" W X 23' P

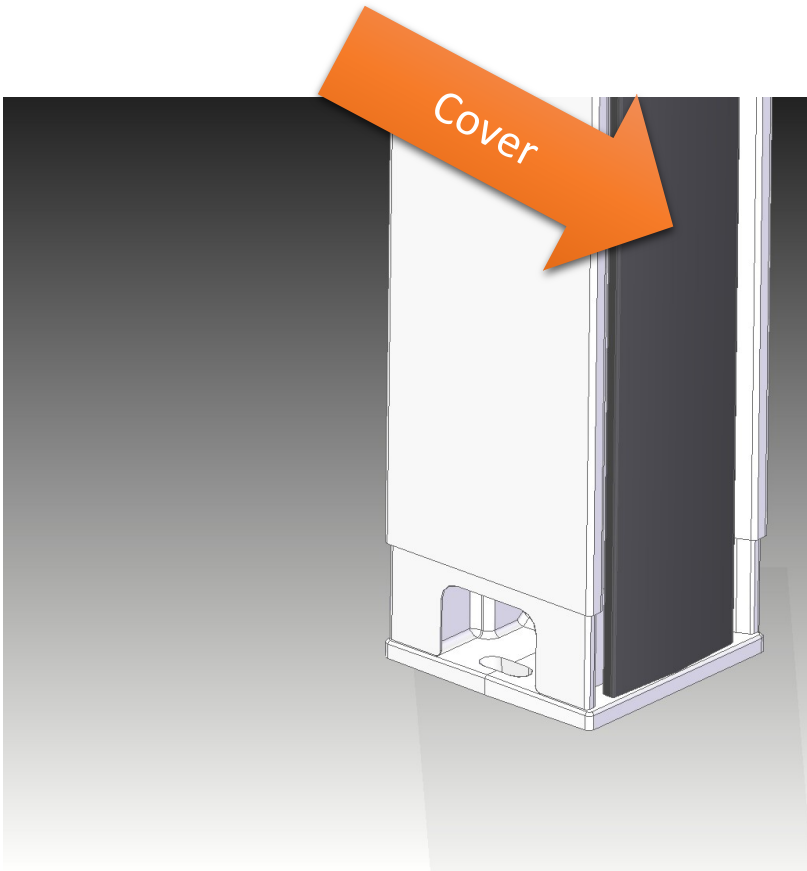
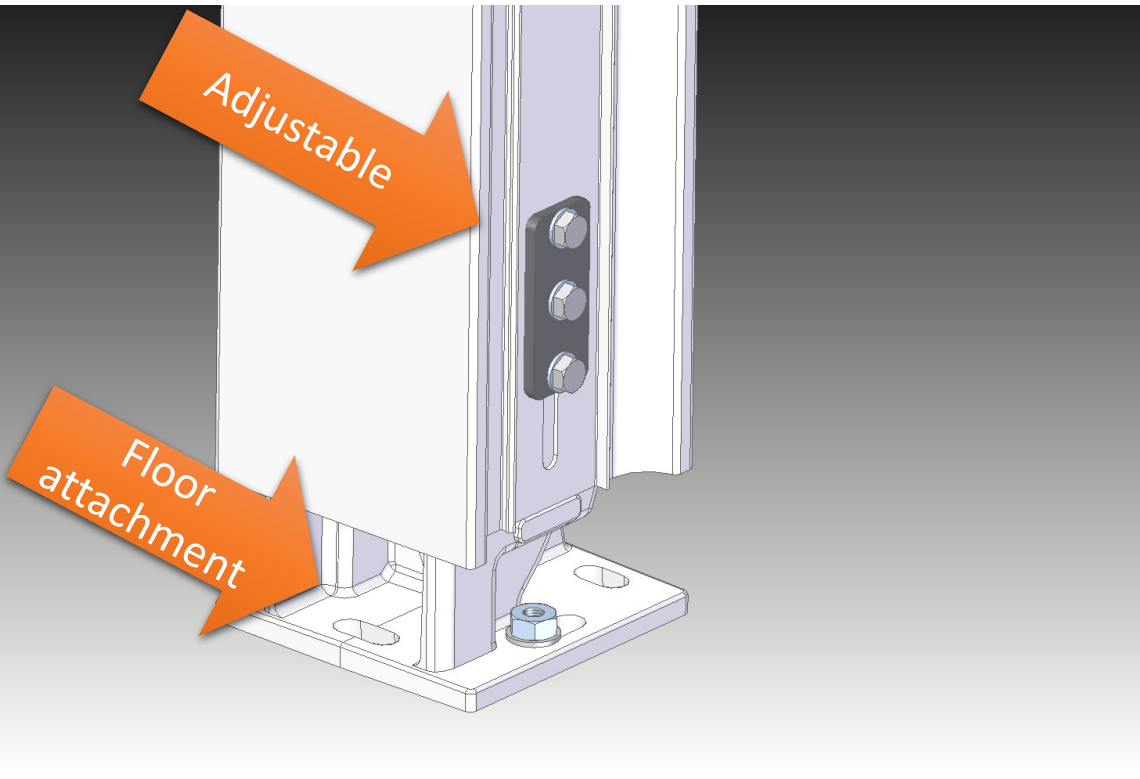
WHITE 9010 MATT
CHARCOAL



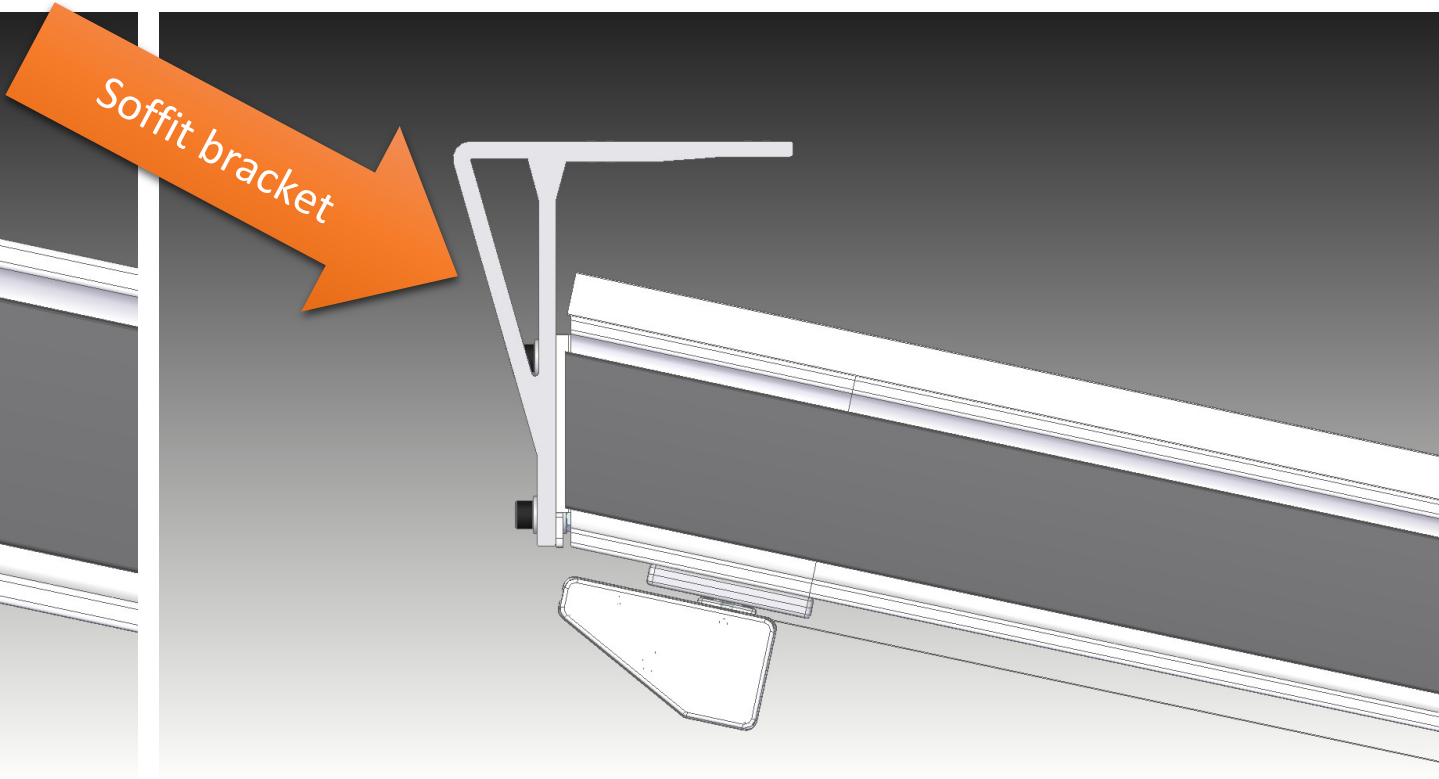
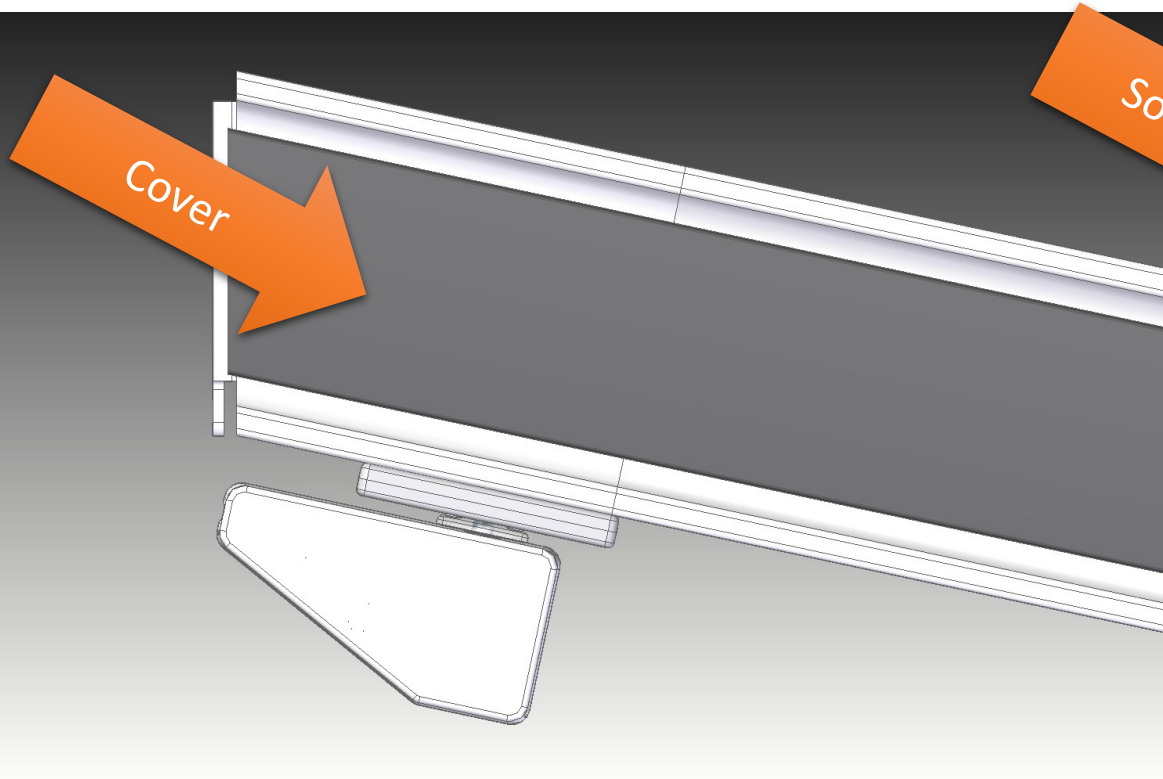
GENNIUS VEGA



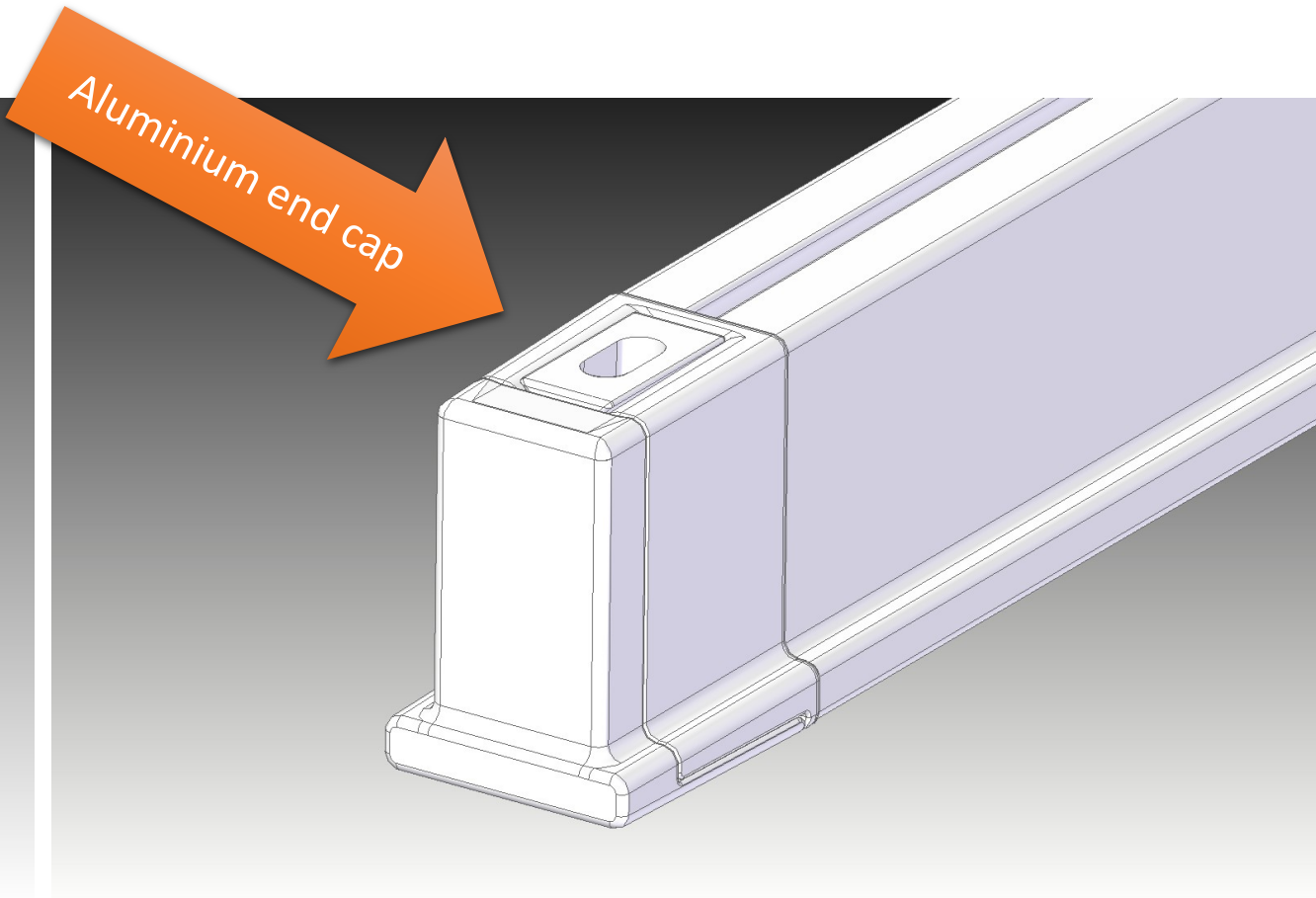
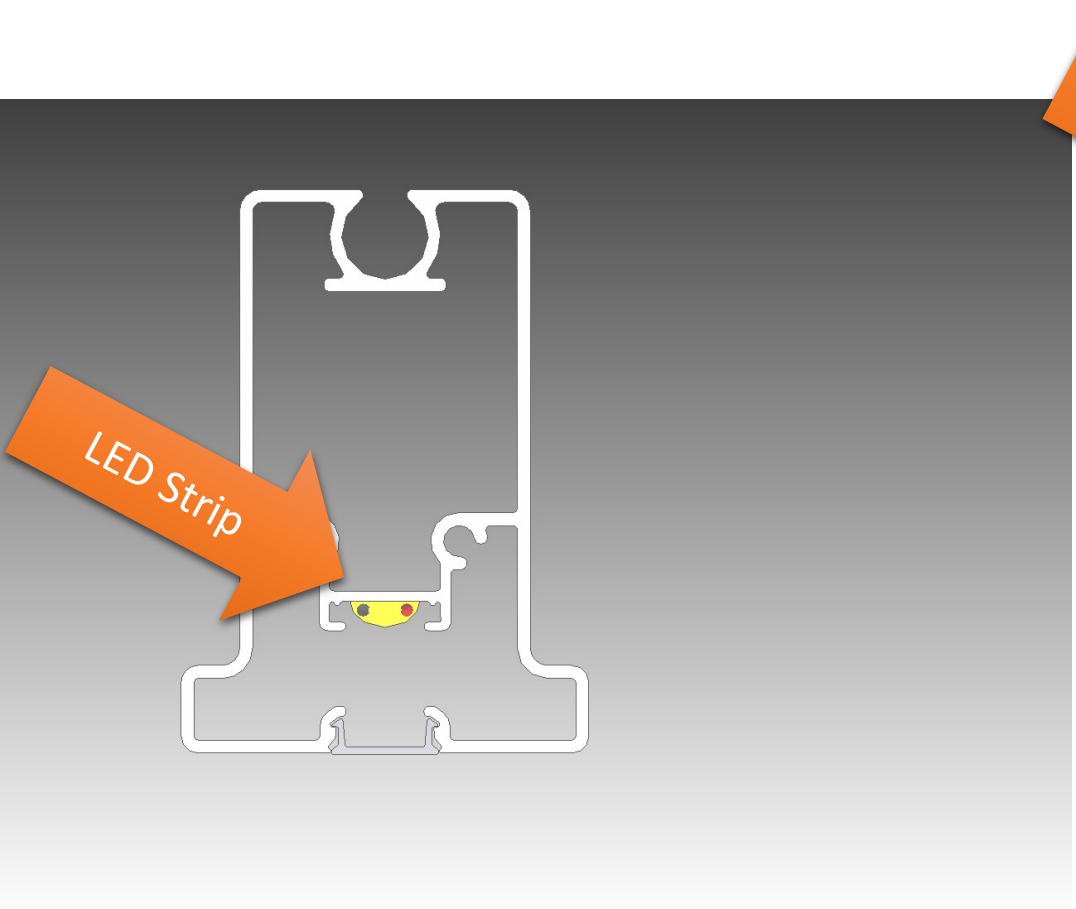
GENNIUS VEGA



GENNIUS VEGA



GENNIUS VEGA



GENNIUS VEGA

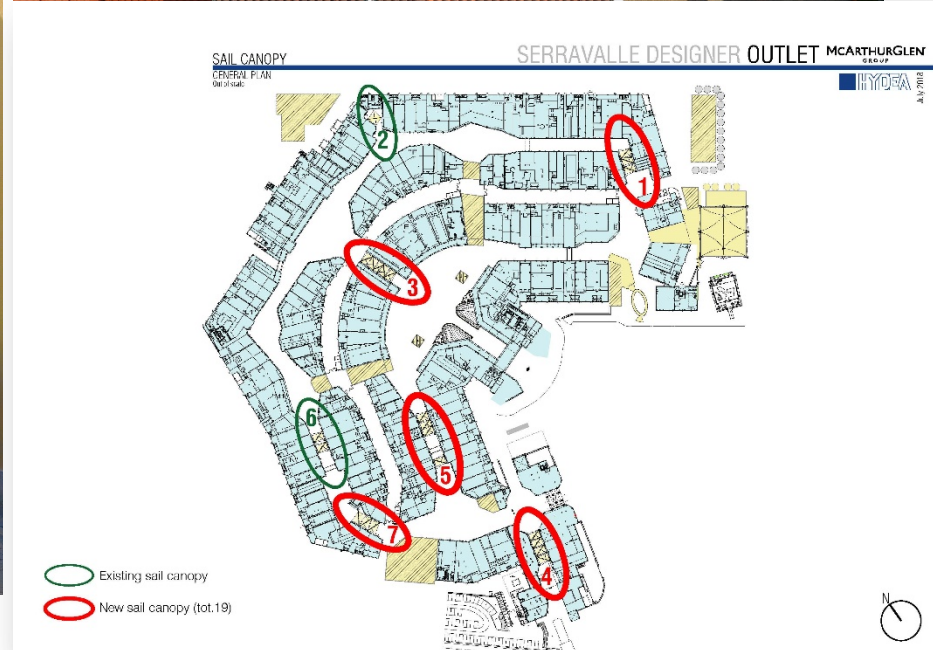


GENNIUS VEGA





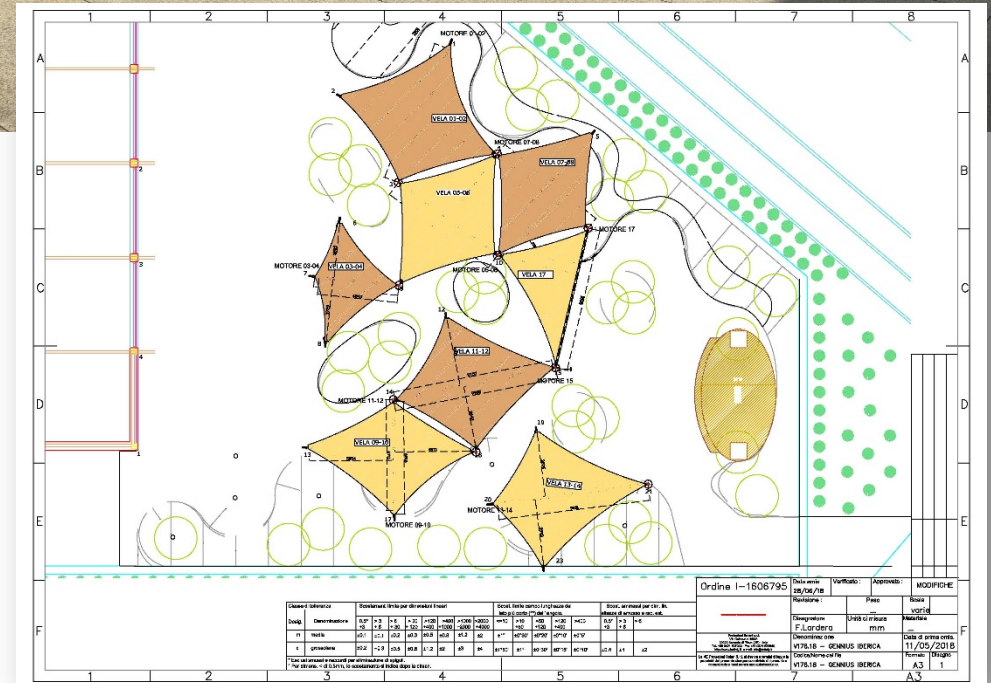
SAILS



SAILS



SAILS

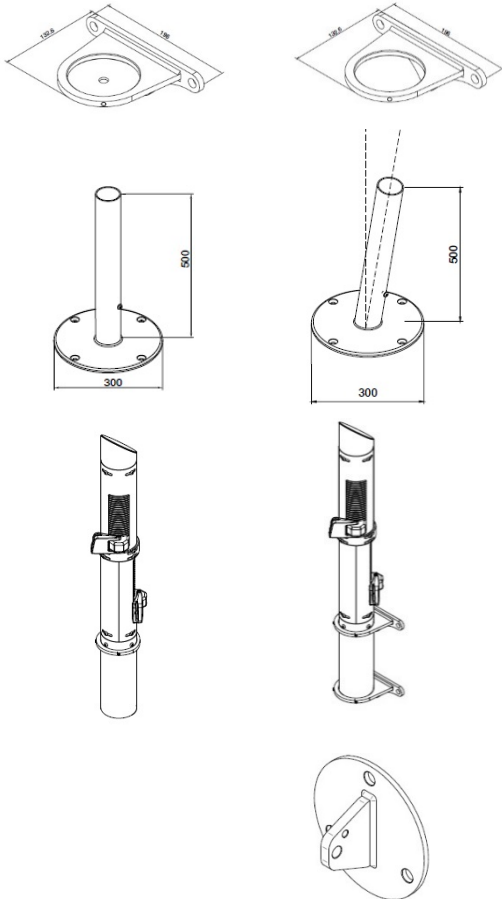


KHEOPE



- MAX DIMENSIONS 23' X 23'
- ONE MOTOR PER UNIT
- DACRON OR TEMPOTEST FABRICS AVAILABLE
- ELECTROPOLISHED STAINLESS STEEL
- FREESTANDING OR WALL INSTALLATION

KHEOPE



WALL BRACKETS AVAILABLE

90° AND 80° BASE OPTION

WALL INSTALLATION OF THE MOTOR AVAILABLE



KOLIBRIE

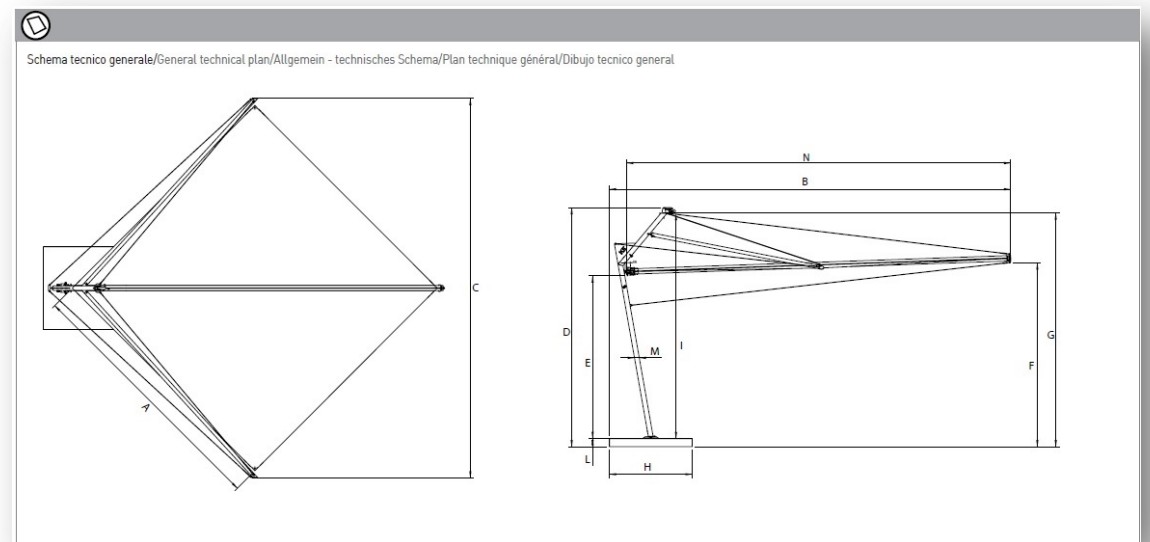


KOLIBRIE



- DIMENSIONS 10'6" X 10'6"
- DIMENSIONS 12' 6" X 12'6"
- 360° ORIENTATION
- DACRON AND TEMPOTEST FABRICS AVAILABLE
- ELECTROPOLISHED STAINLESS STEEL

KOLIBRIE



KOLIBRIE



GENNIUS SAILS
KOLIBRIE

KOLIBRIE

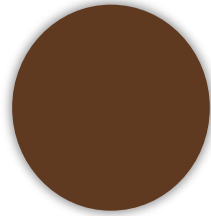
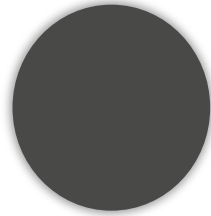




QUBICA

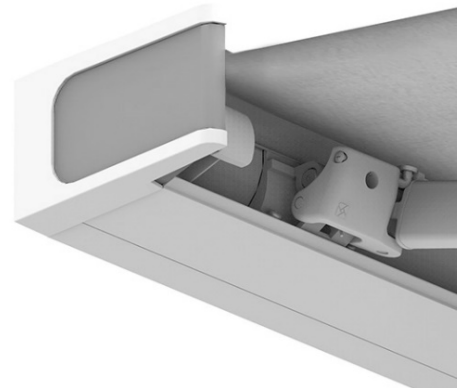


QUBICA



QUBICA PLUMB

23' W x 13'5'' P



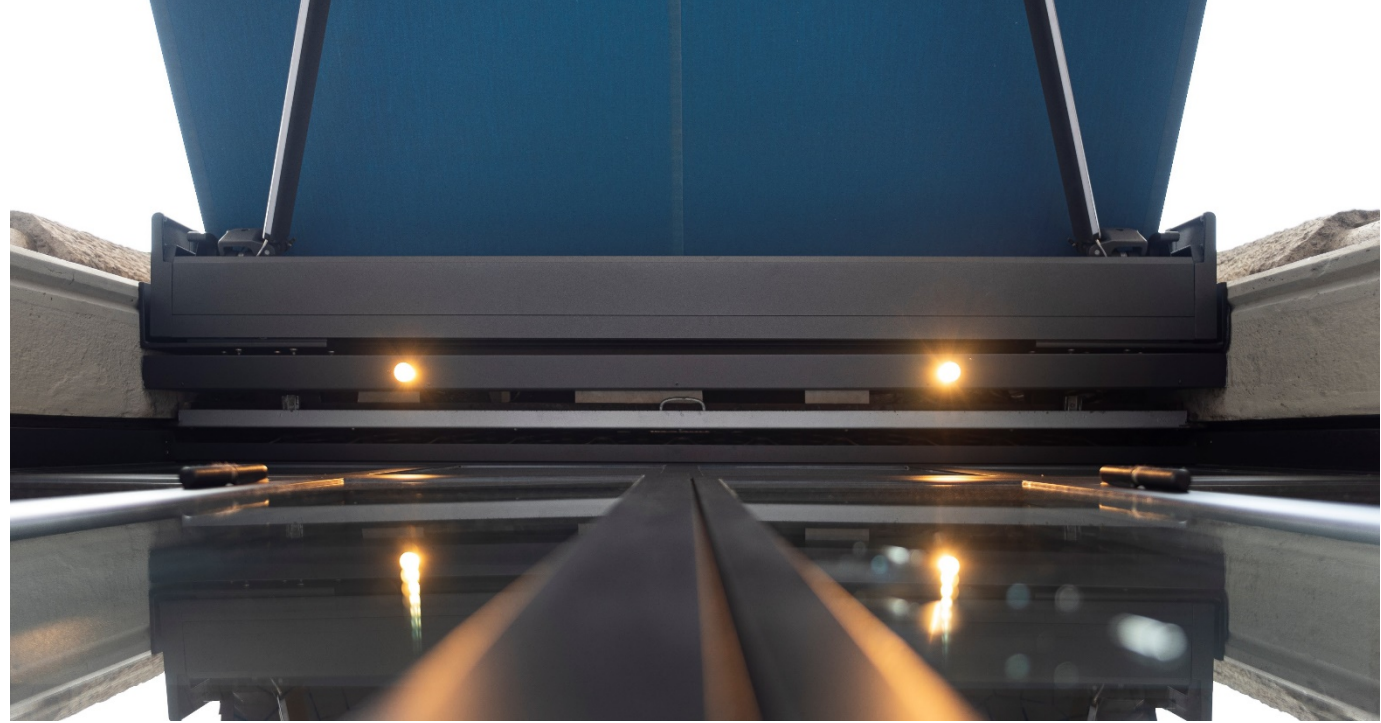
QUBICA FLAT

23' W x 11'9'' P

QUBICA



QUBICA



QUBICA

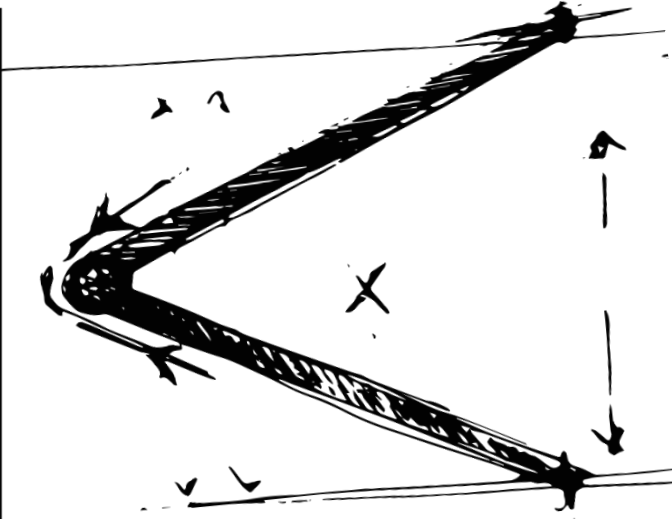
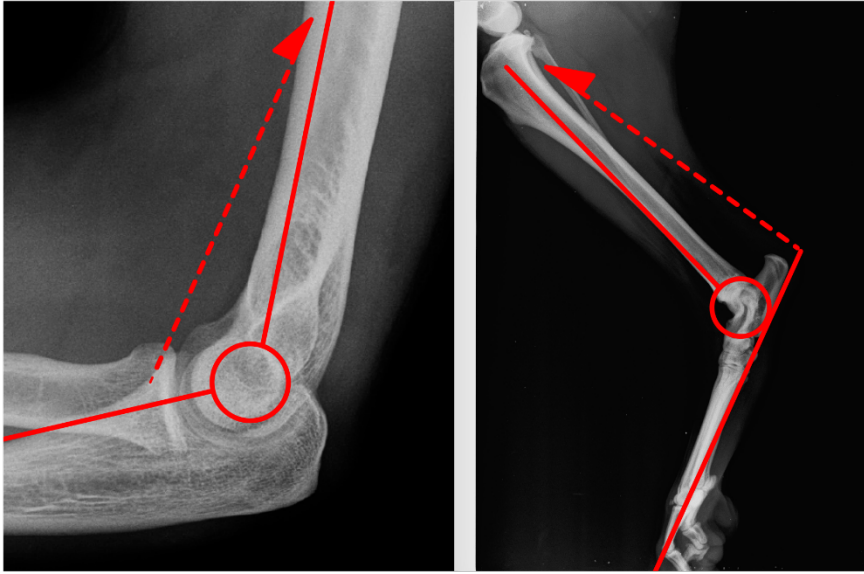
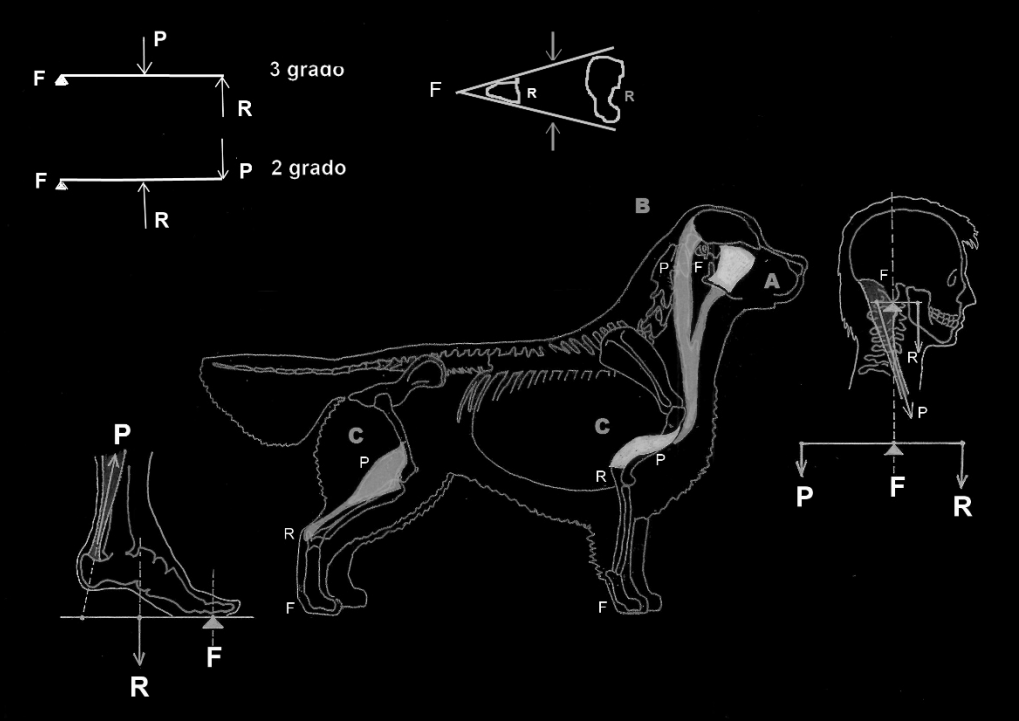


QUBICA





AKI ARM



AKI ARM

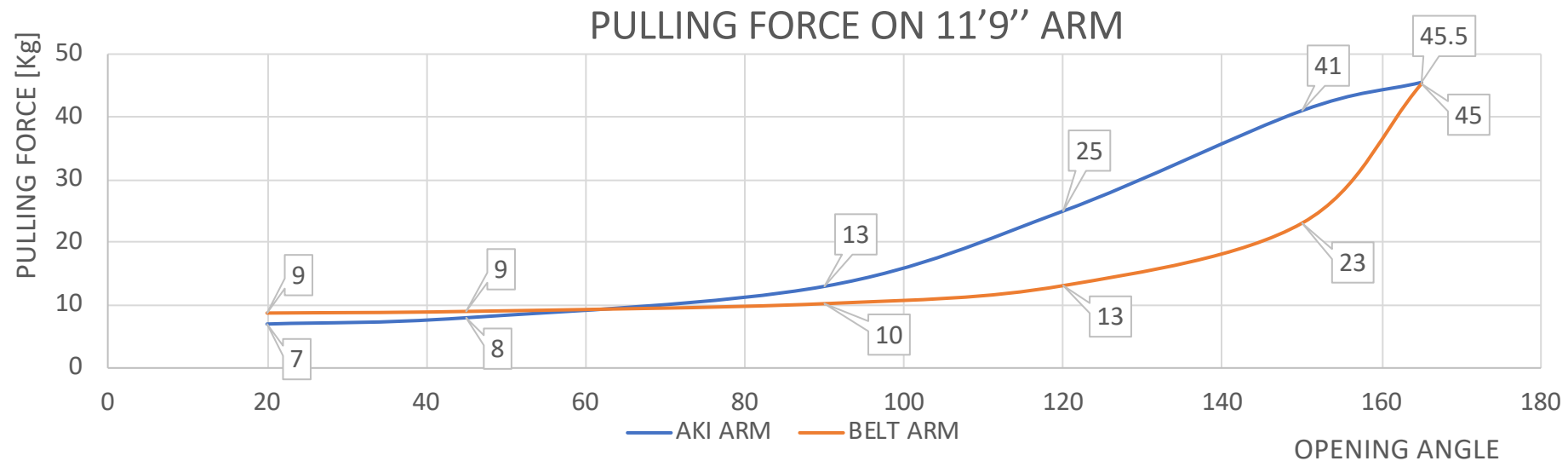
Inspired by the animal articulation = Variable level arm



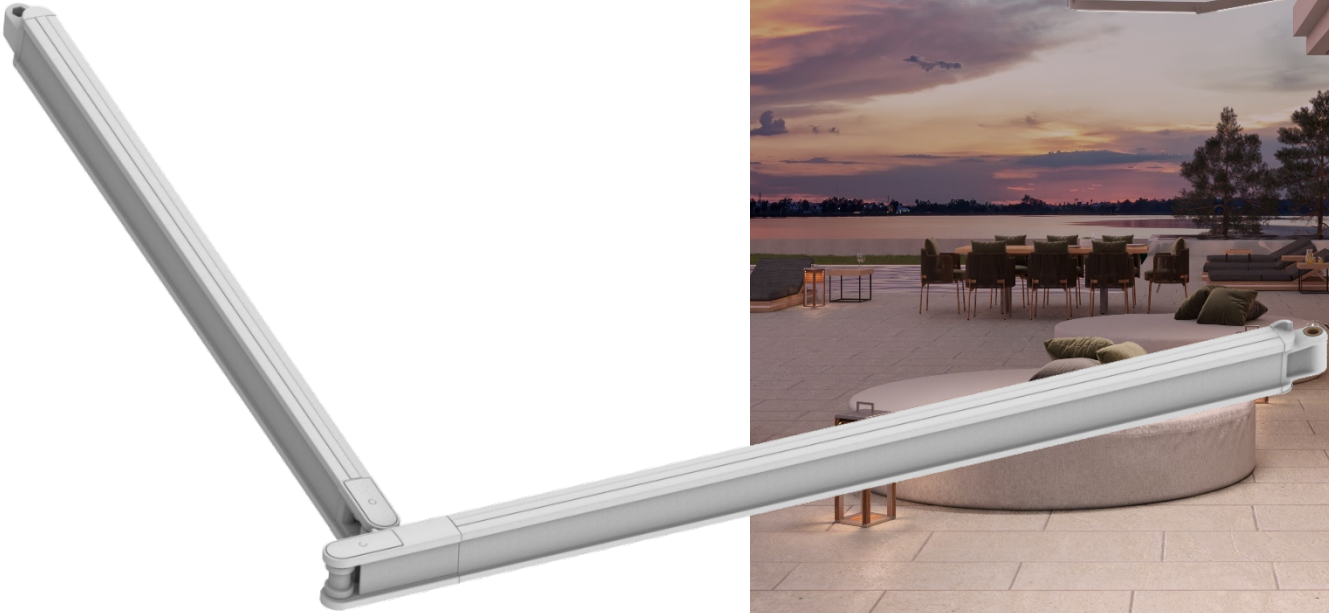
It reaches high level of tension before the maximum opening point



More tension on the fabric



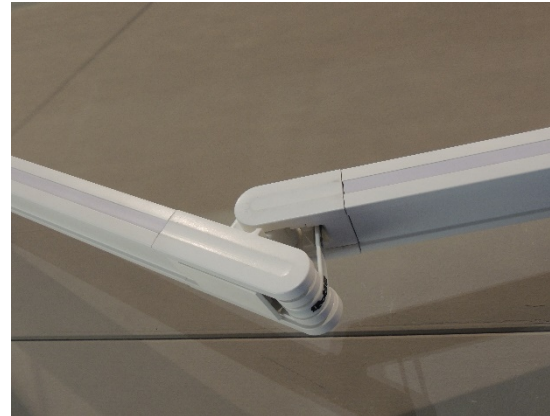
AKI ARM



AKI ARM

FEATURES:

- Invisible hardware
- Integrated led strip light
- Available up to 13'5"
- Belt system (10000 cycles)
- New adaptor for more performance and fastening





ACADEMY

Thank you!
