

KE GRANDANGOLO GOLD B41

per aumenti TESSUTO e RAL vedi pagine 106/115 - For fabric and RAL increases see at pages 106/115
 Augmentation TISSU et RAL voir pages 106/115 - Für Aufpreise für RAL und Stoffe S. seiten 106/115

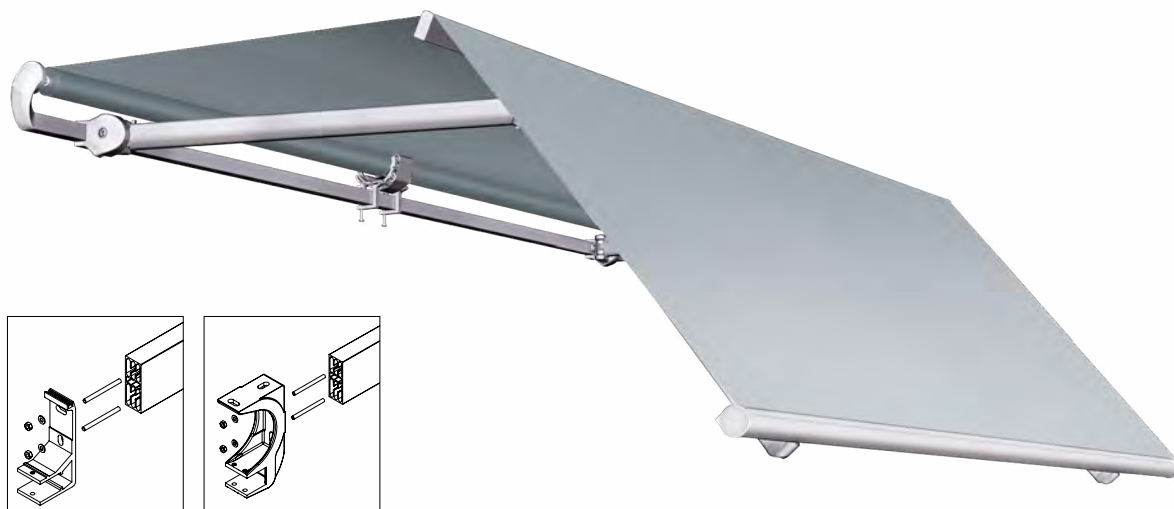
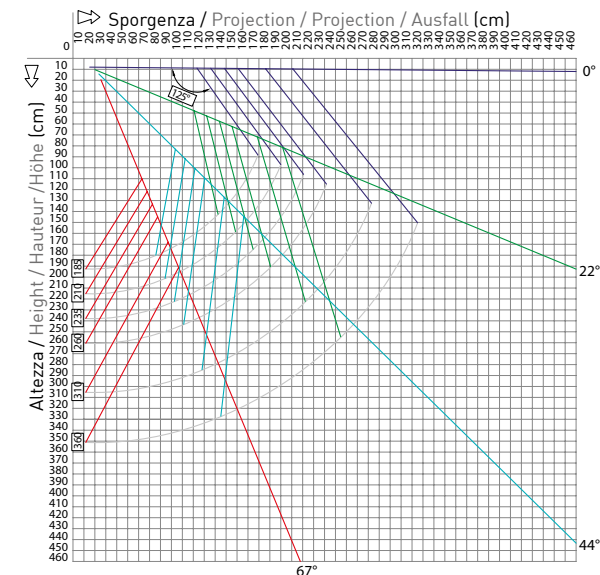


Diagramma di copertura a parete/soffitto 0° - 90°
 0° - 90° Wall/Ceiling covering diagram



- Bracci / Arms / Bras / Arme
- Staffa parete-soffitto / Wall-ceiling bracket / Support universel / Wand/Deckenknsole
- ▶ Supporto compensatore / Balance support / Support compensateur/Stützlager
- Supporto tettuccio / Hood support / Support pour auvent / Schutzdachhalter

cm	↔				
↻		300	400	500	600
185	■	2	2	2	2
	▶	2	3	3	4
	●	2	3	3	4
210	■	2	2	2	2
	▶	2	3	3	4
	●	2	3	3	4
235	■	-	2	2	2
	▶	-	3	3	4
	●	-	3	3	4
260	■	-	2	2	2
	▶	-	3	4	4
	●	-	3	4	4
310	■	-	2	2	2
	▶	-	3	4	6
	●	-	3	4	6
360	■	-	-	2	2
	▶	-	-	4	6
	●	-	-	4	6

Ingombri minimi della tenda finita - 1 coppia bracci
 Minimum awning encumbrances - 1 pair arms
 Encombrentes minimum du store fini - 1 pair bras
 Minimaler Ausmaß der fertigen Markise - 1 Paar Arme

cm	↔
↻	2 BRACCI
185	252
210	277
235	302
260	327
310	377
360	427

! Diagramma indicativo - Indicative diagram - Diagramme es indicatif - Indikatives Diagramm

